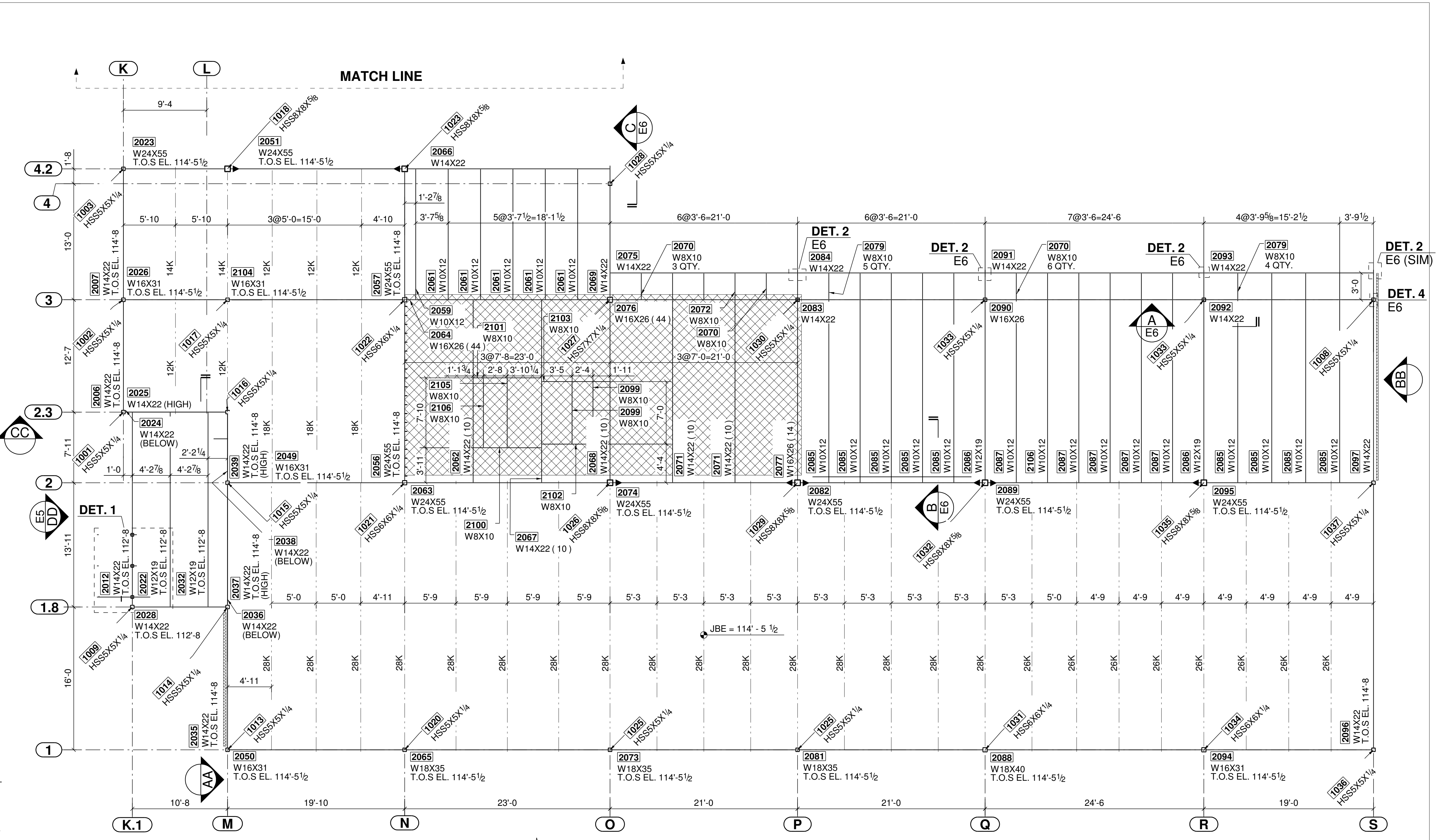
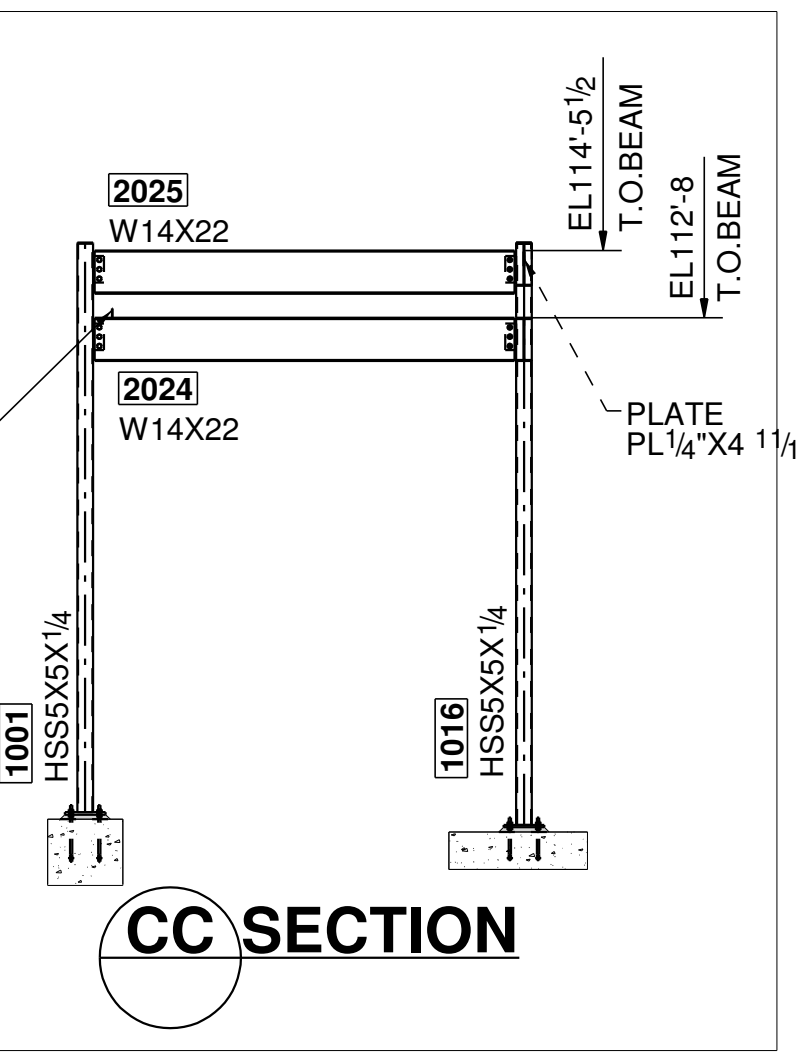
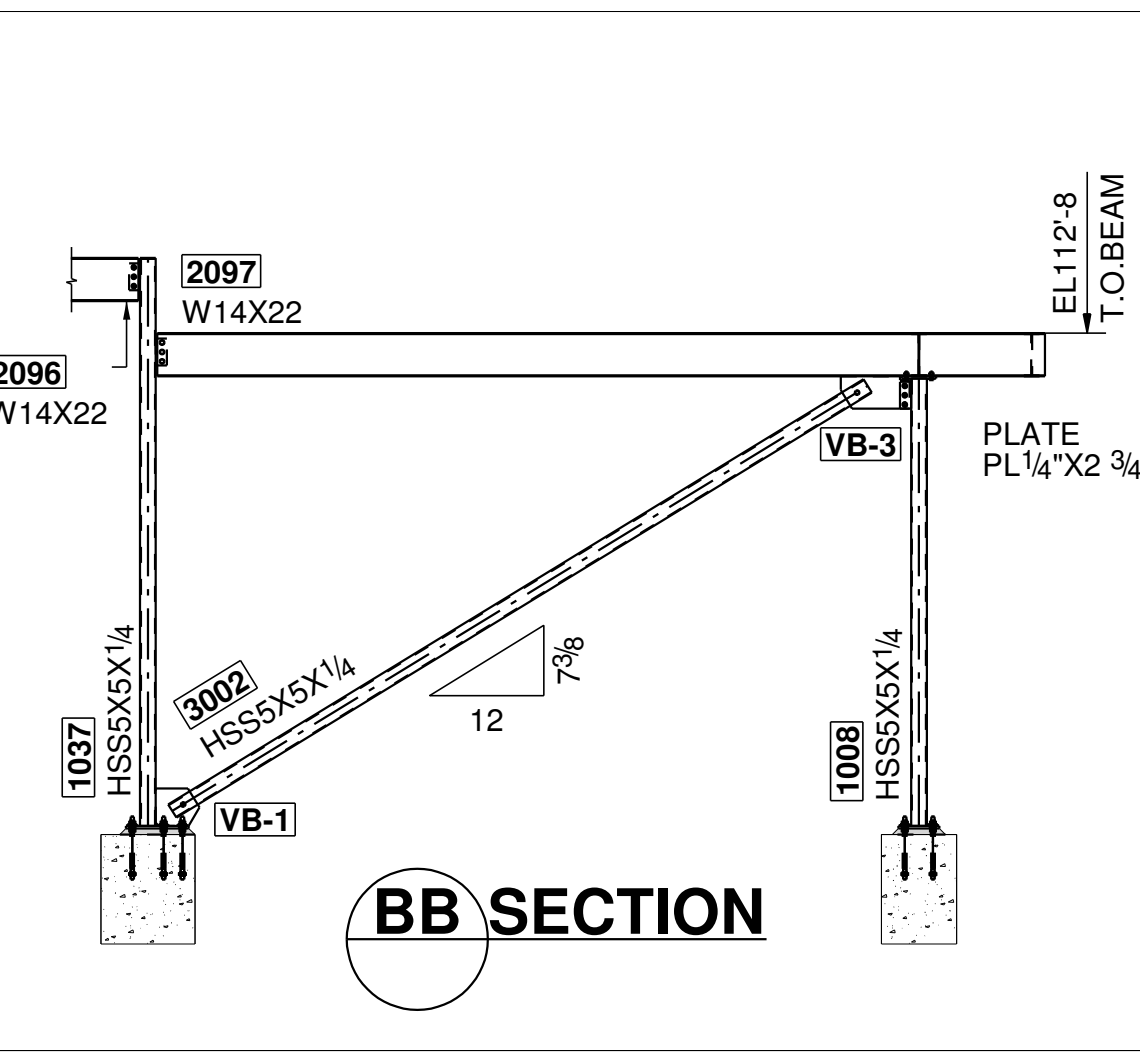
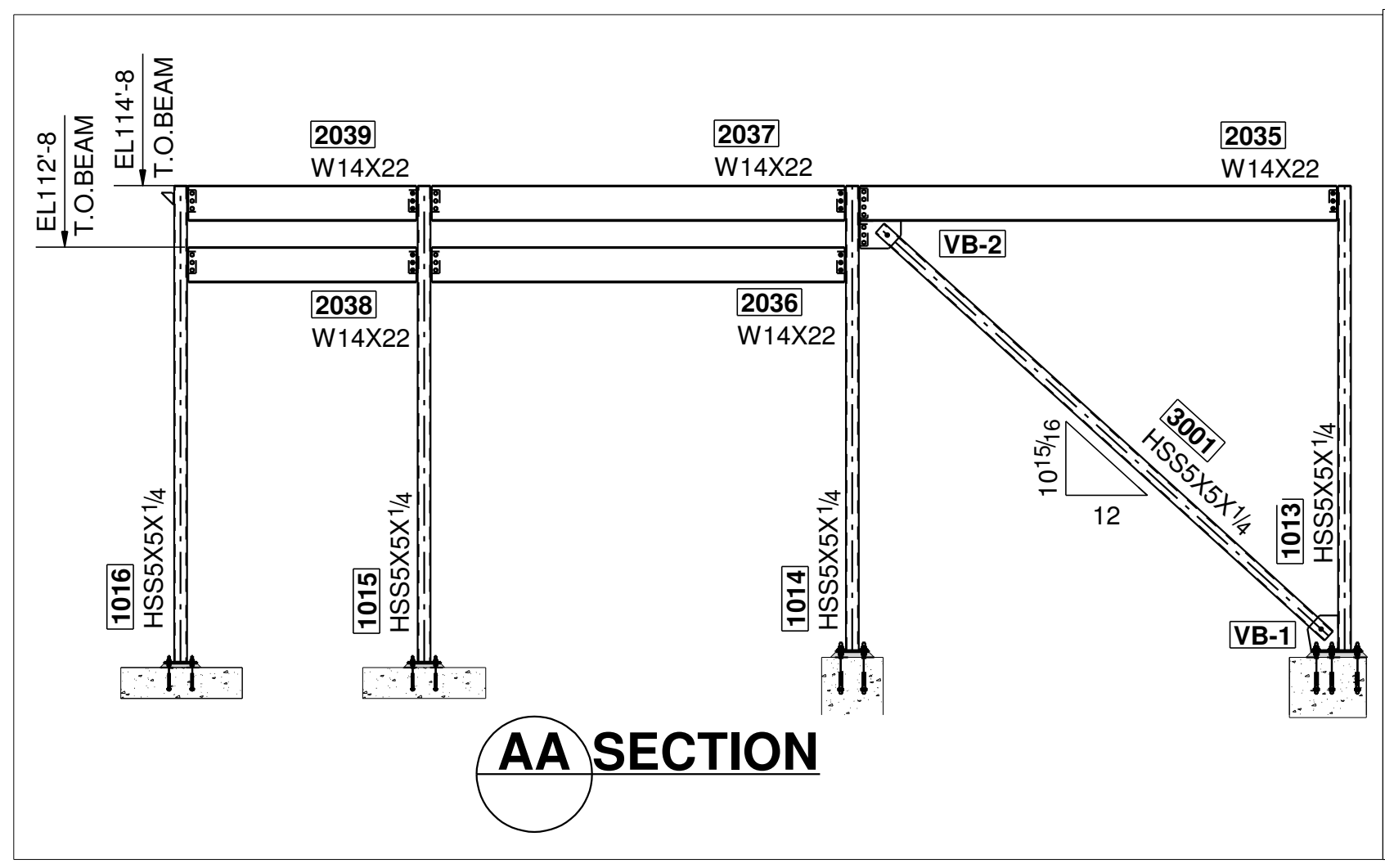
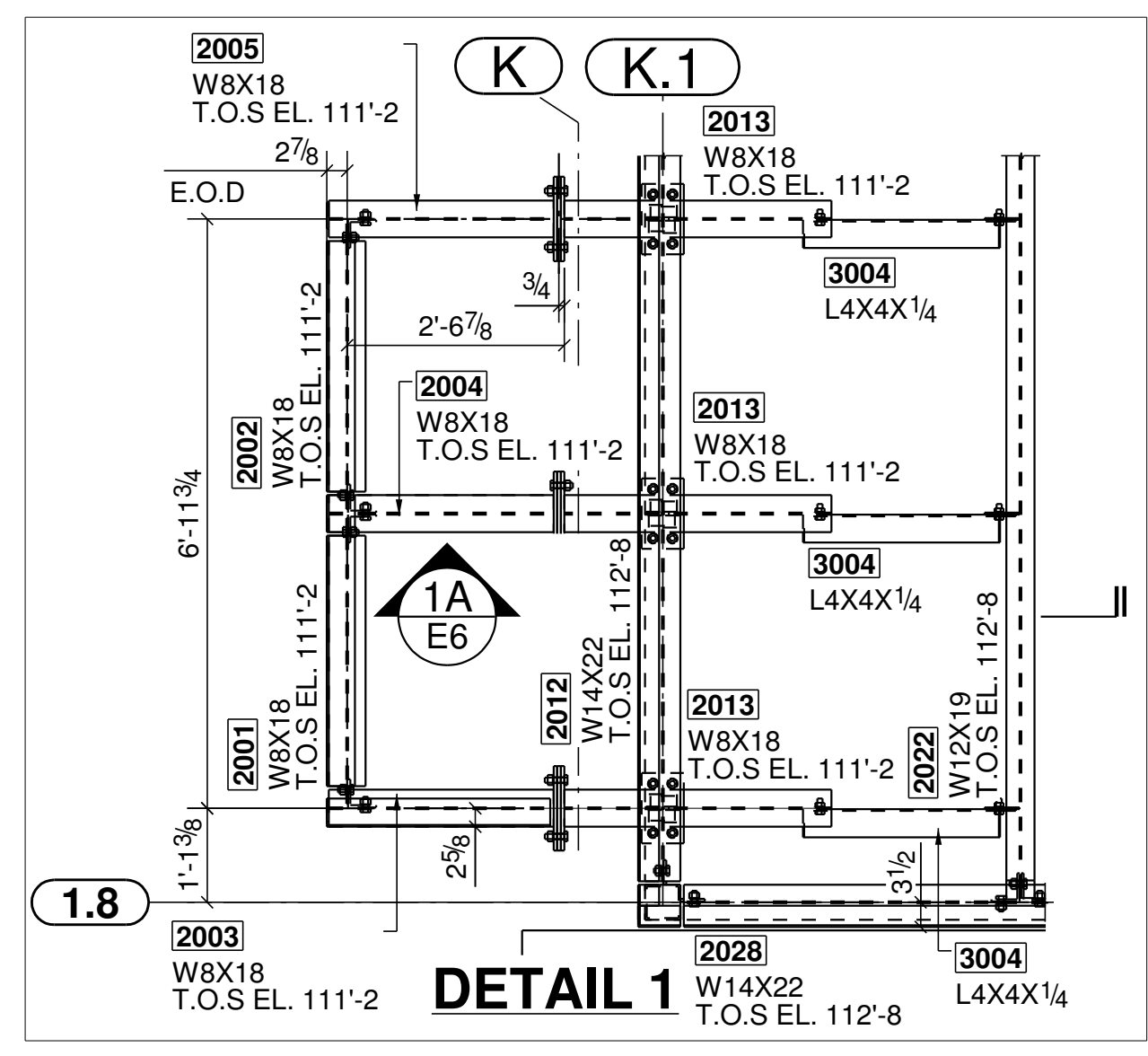


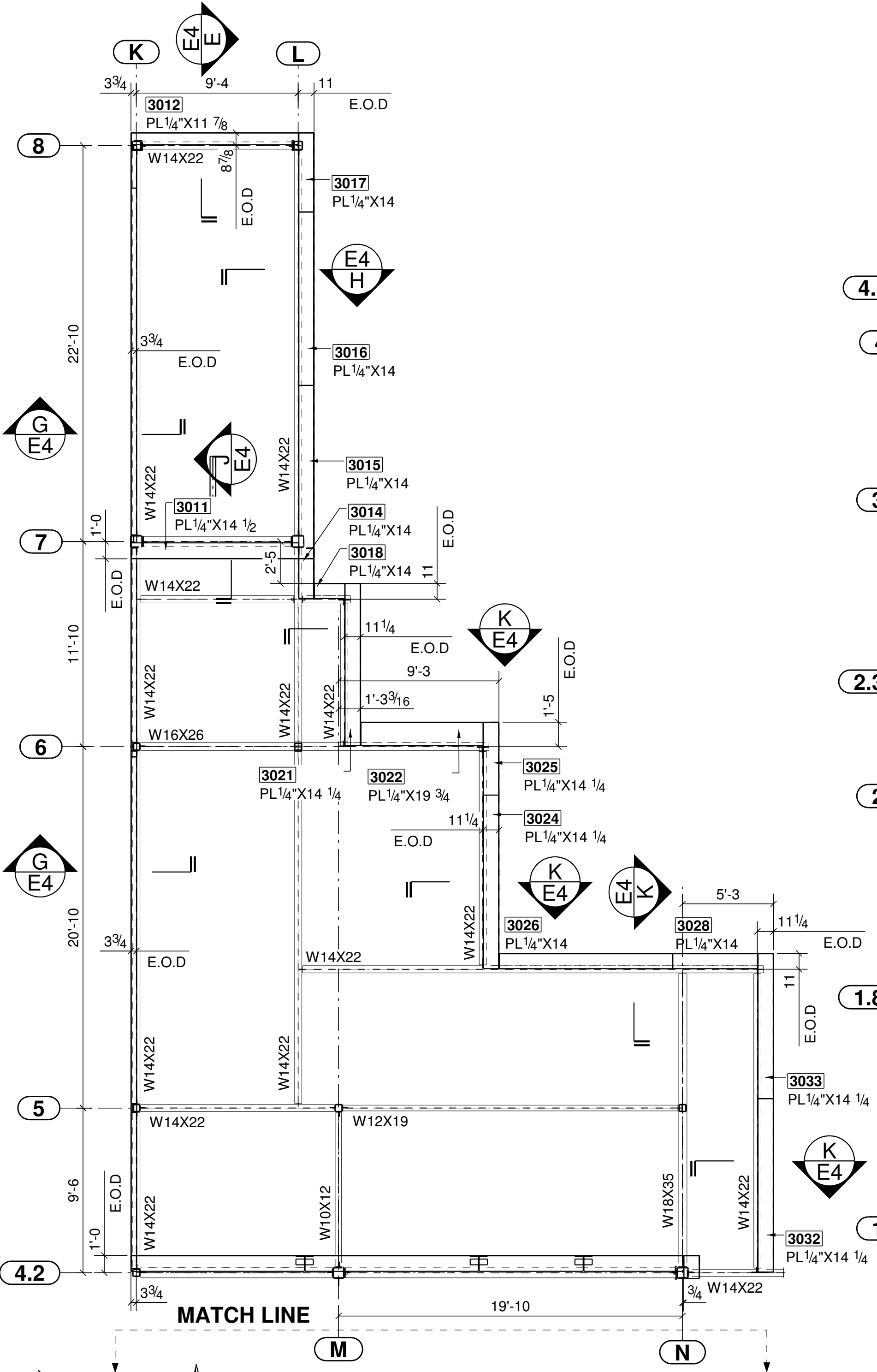
ROOF LEVEL ZONE 1 - FRAMING PLAN
T.O.S. EL. 112'-8" U.N.O



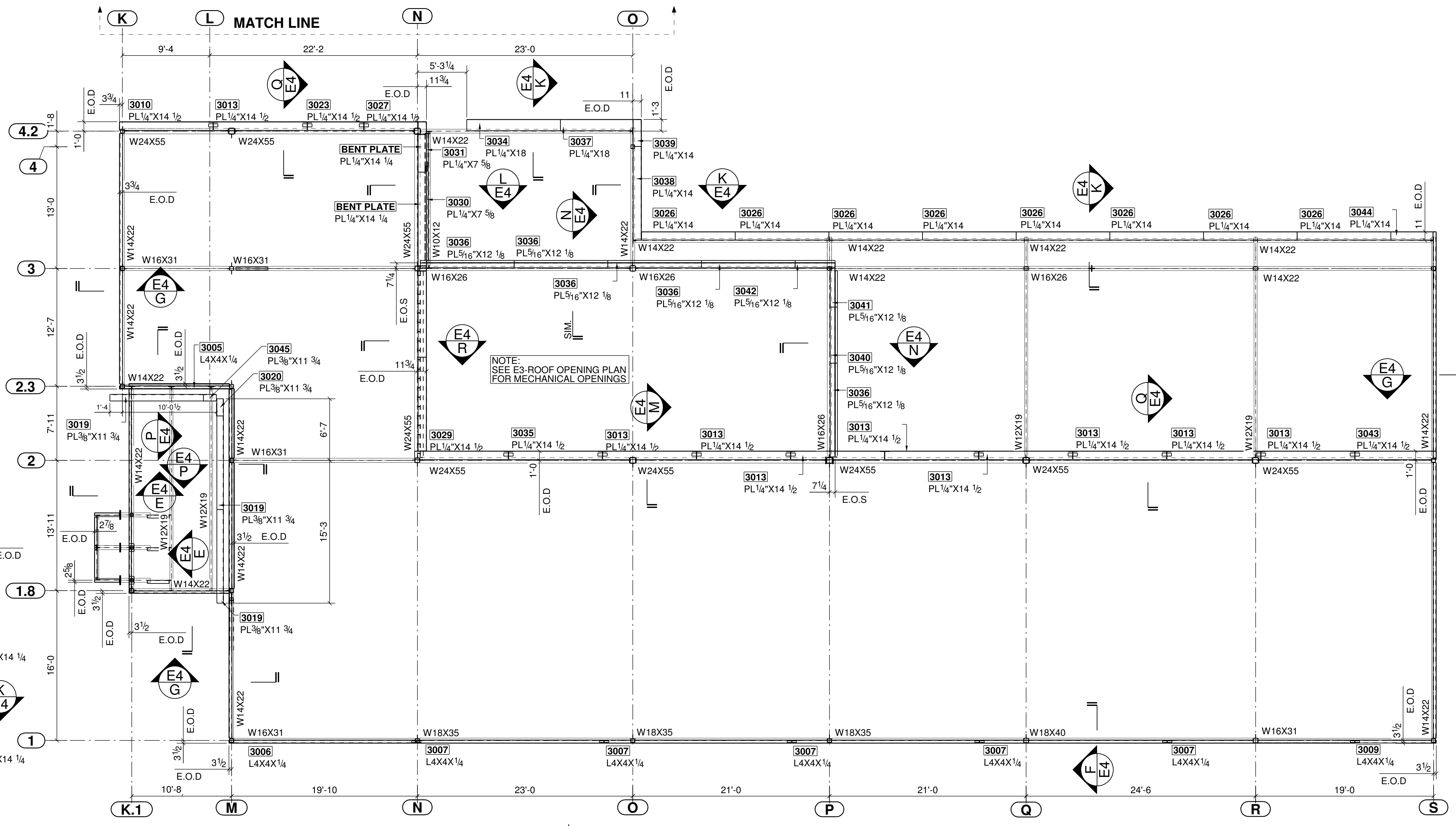
ROOF LEVEL ZONE 1 - FRAMING PLAN
T.O.S. EL. 112'-8" U.N.O



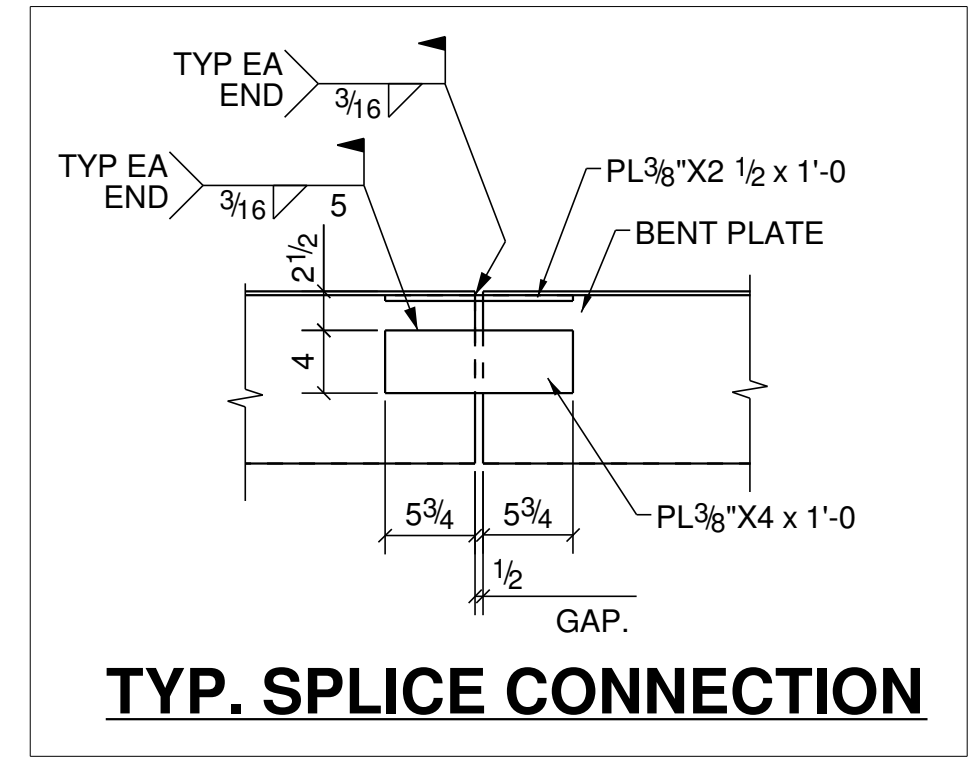
- GENERAL NOTES:**
- ▶ - INDICATES MOMENT CONNECTION
 - ▨ - INDICATES BRACING
 - × - INDICATES JOIST W/ERECTION BOLT



(TRUE NORTH) (PROJECT NORTH) **ROOF LEVEL ZONE 1 - FRAMING PLAN**

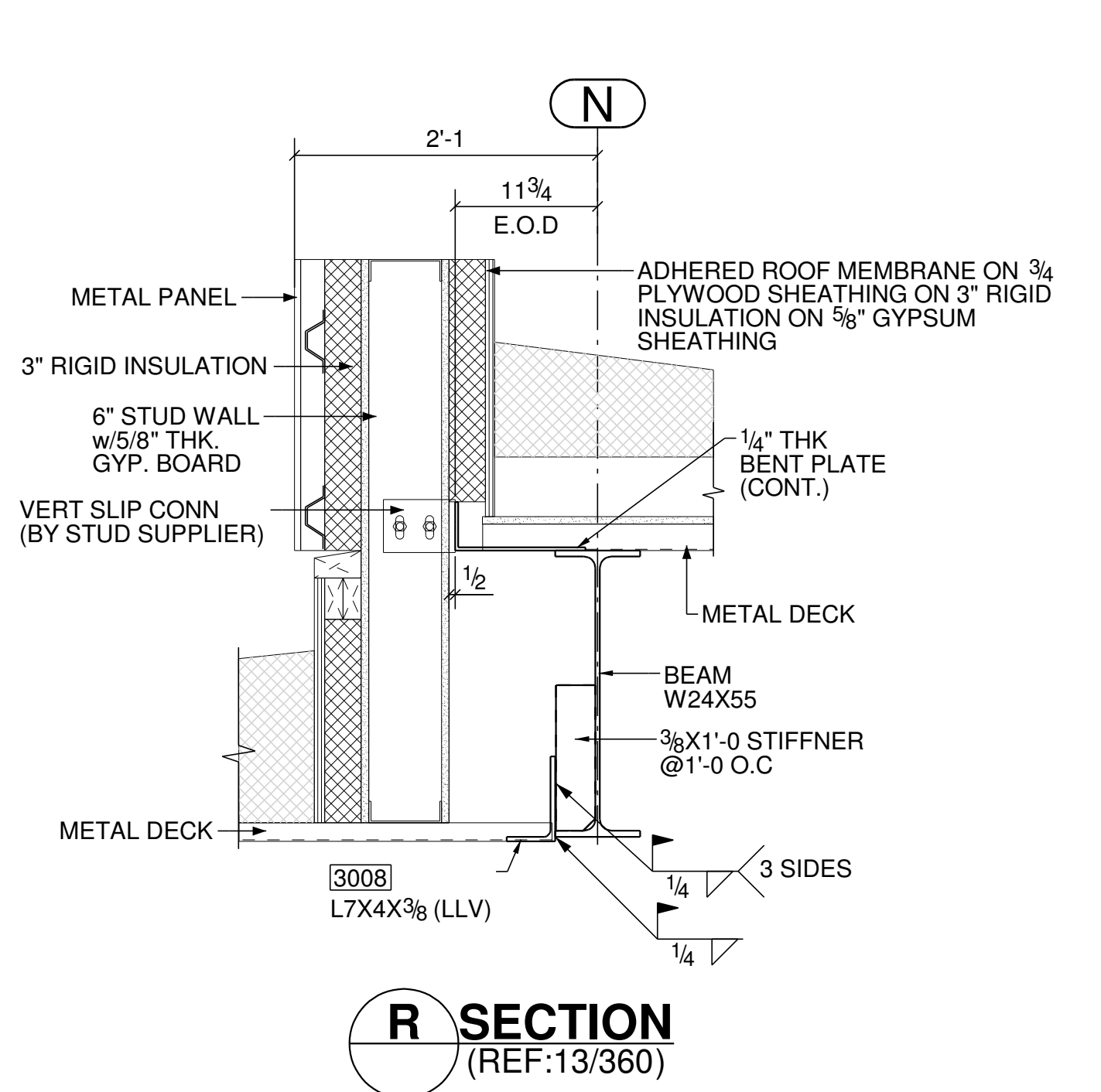
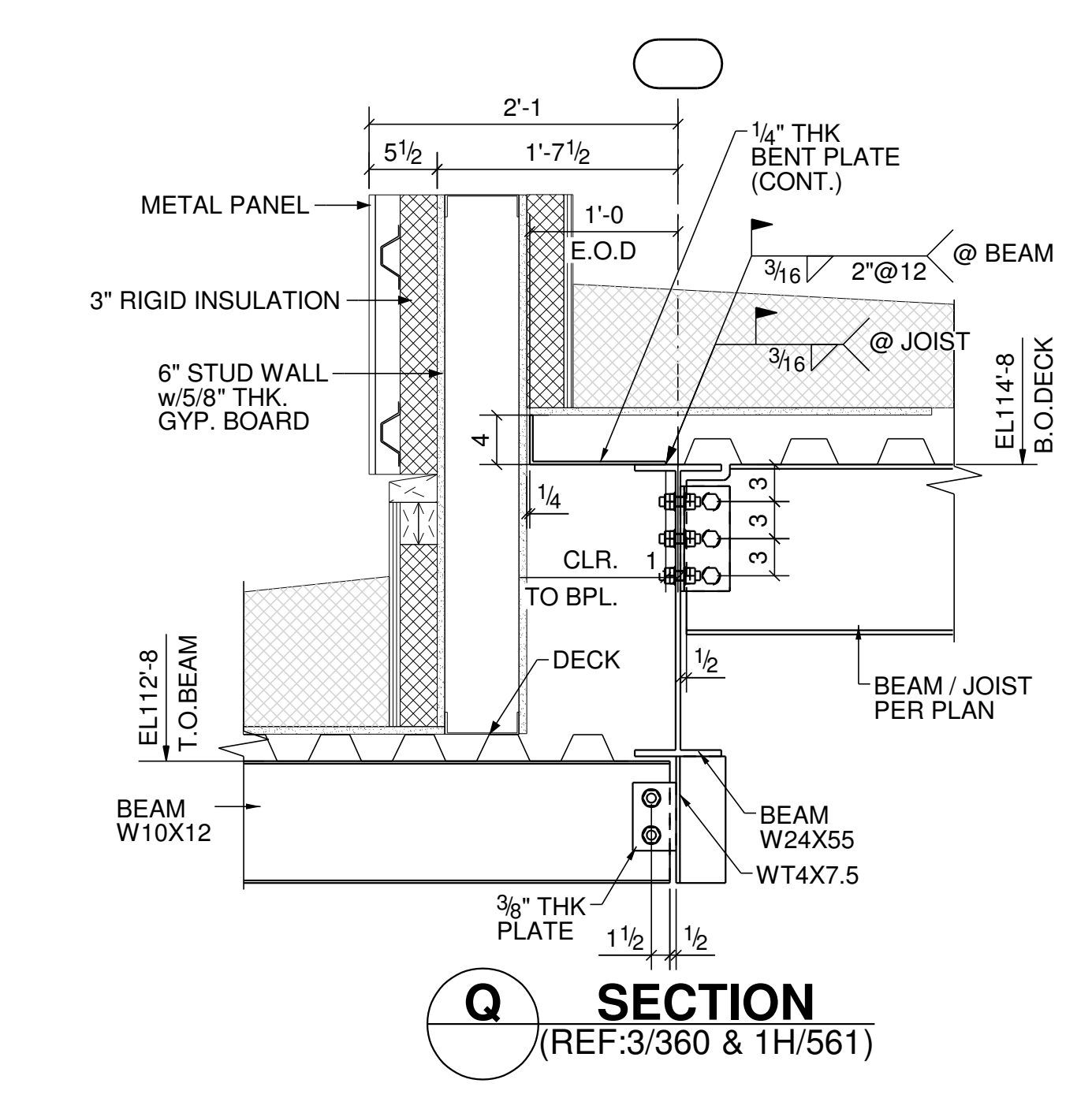
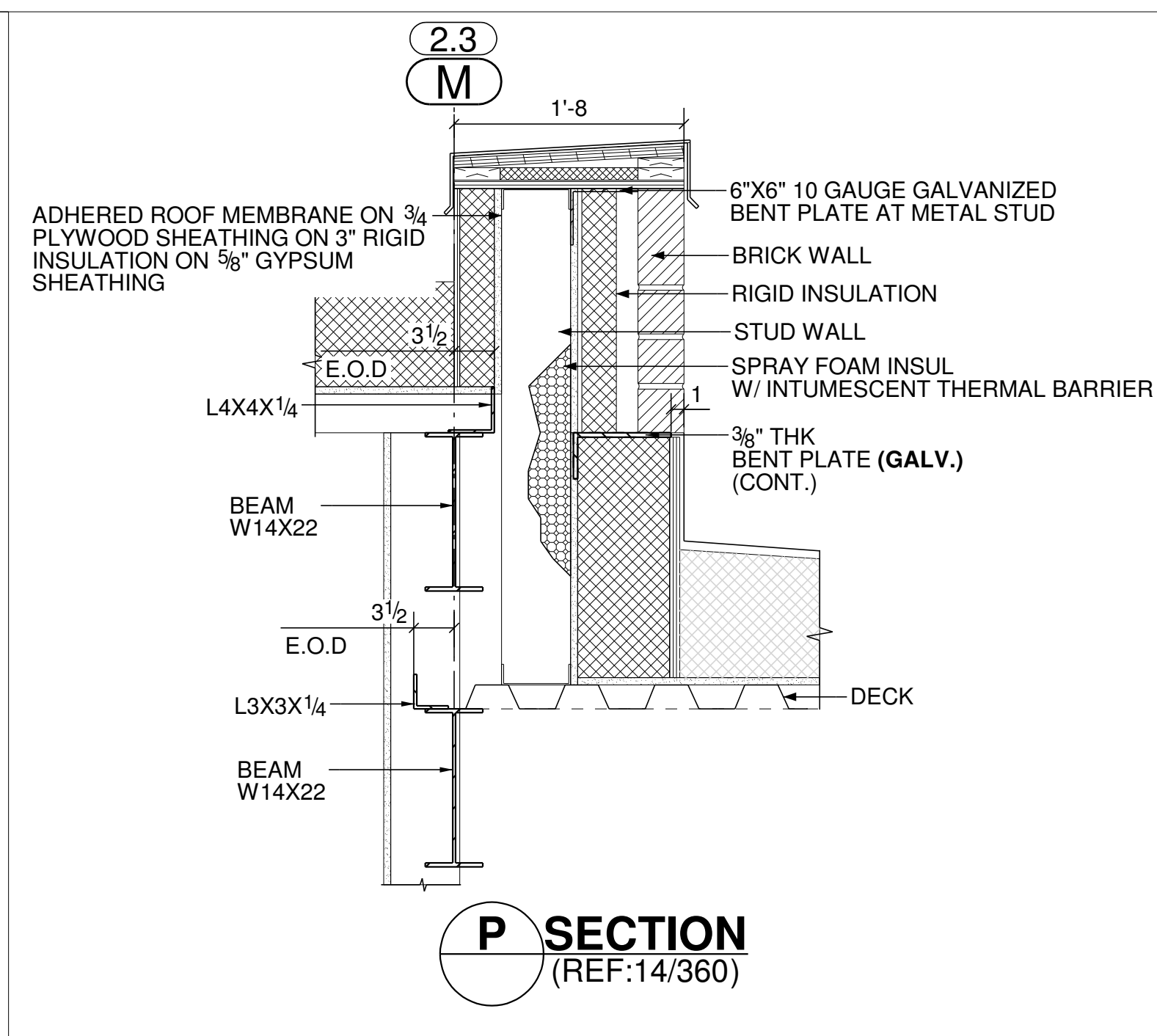
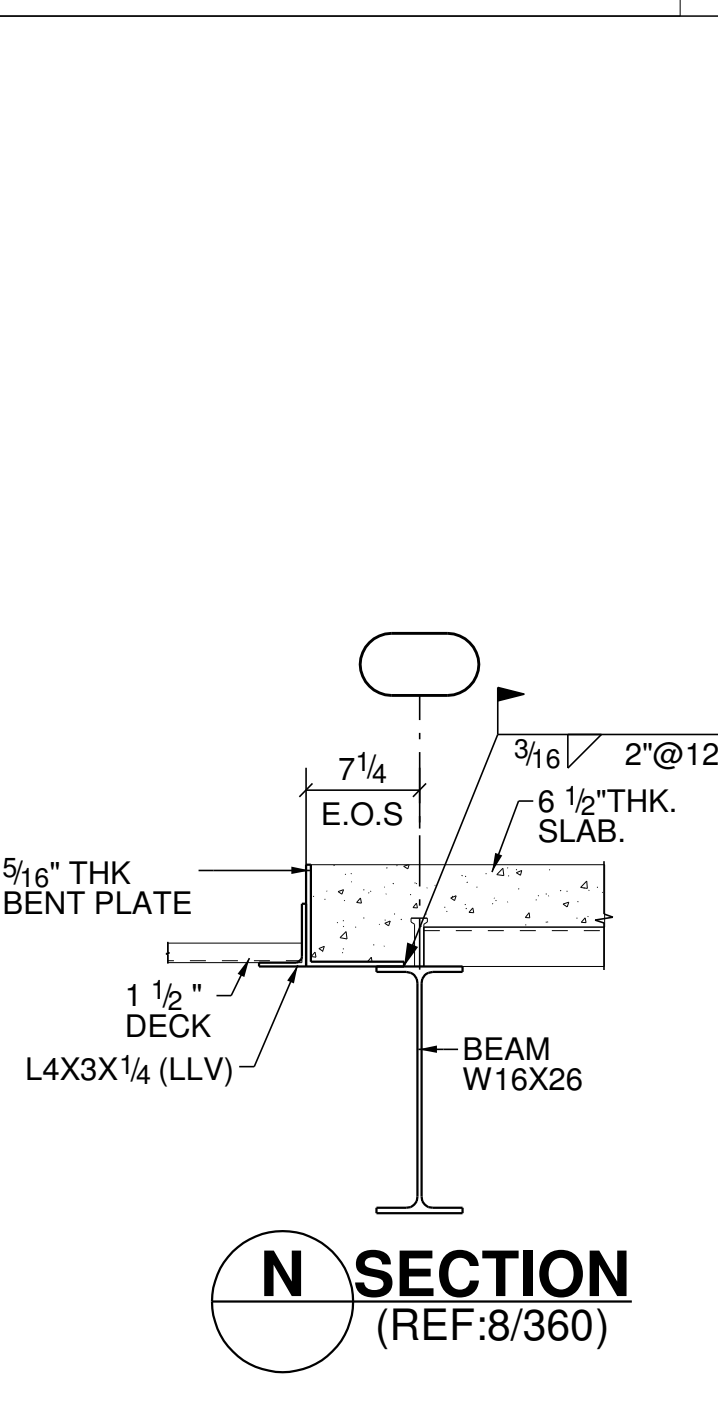
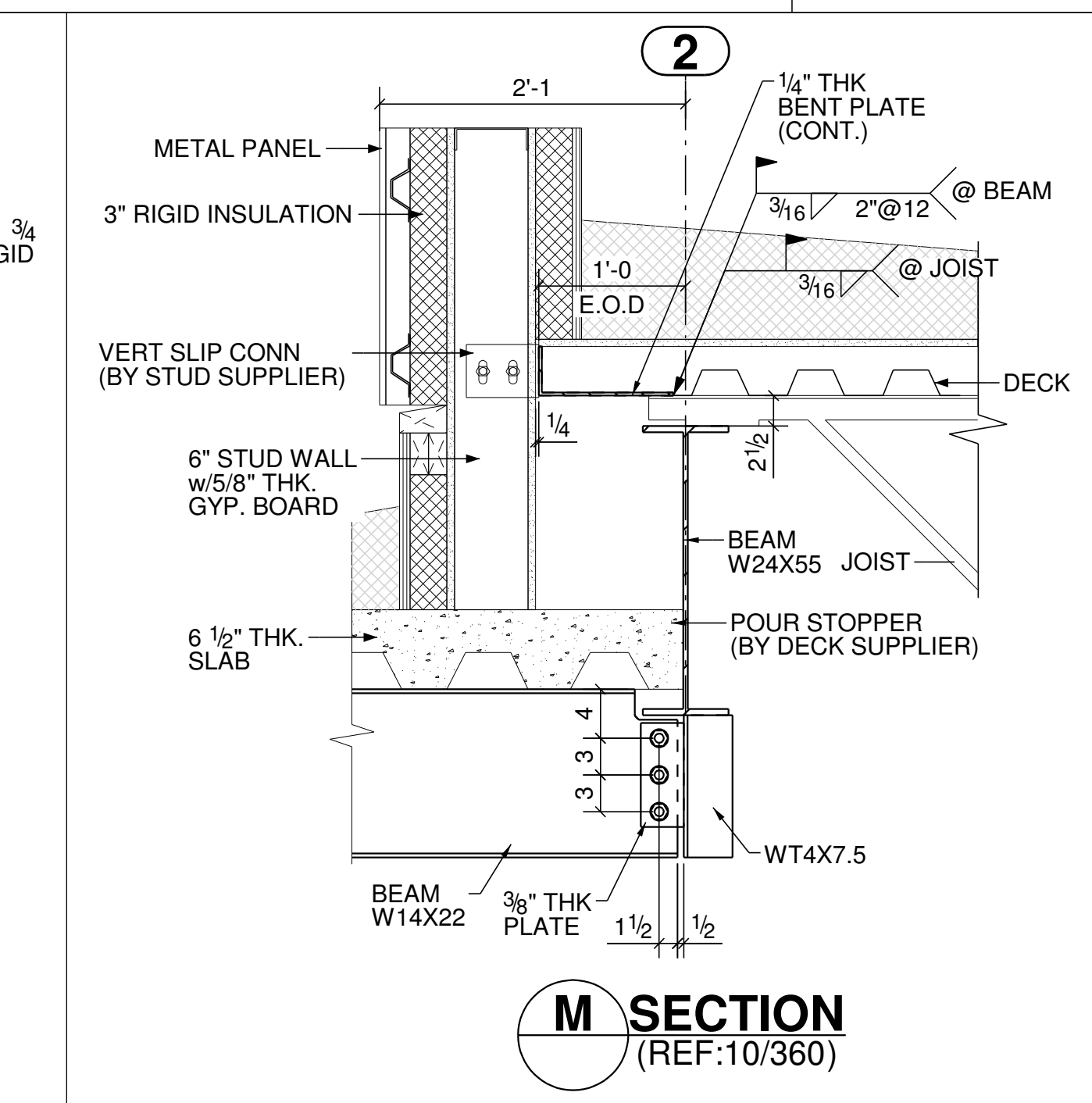
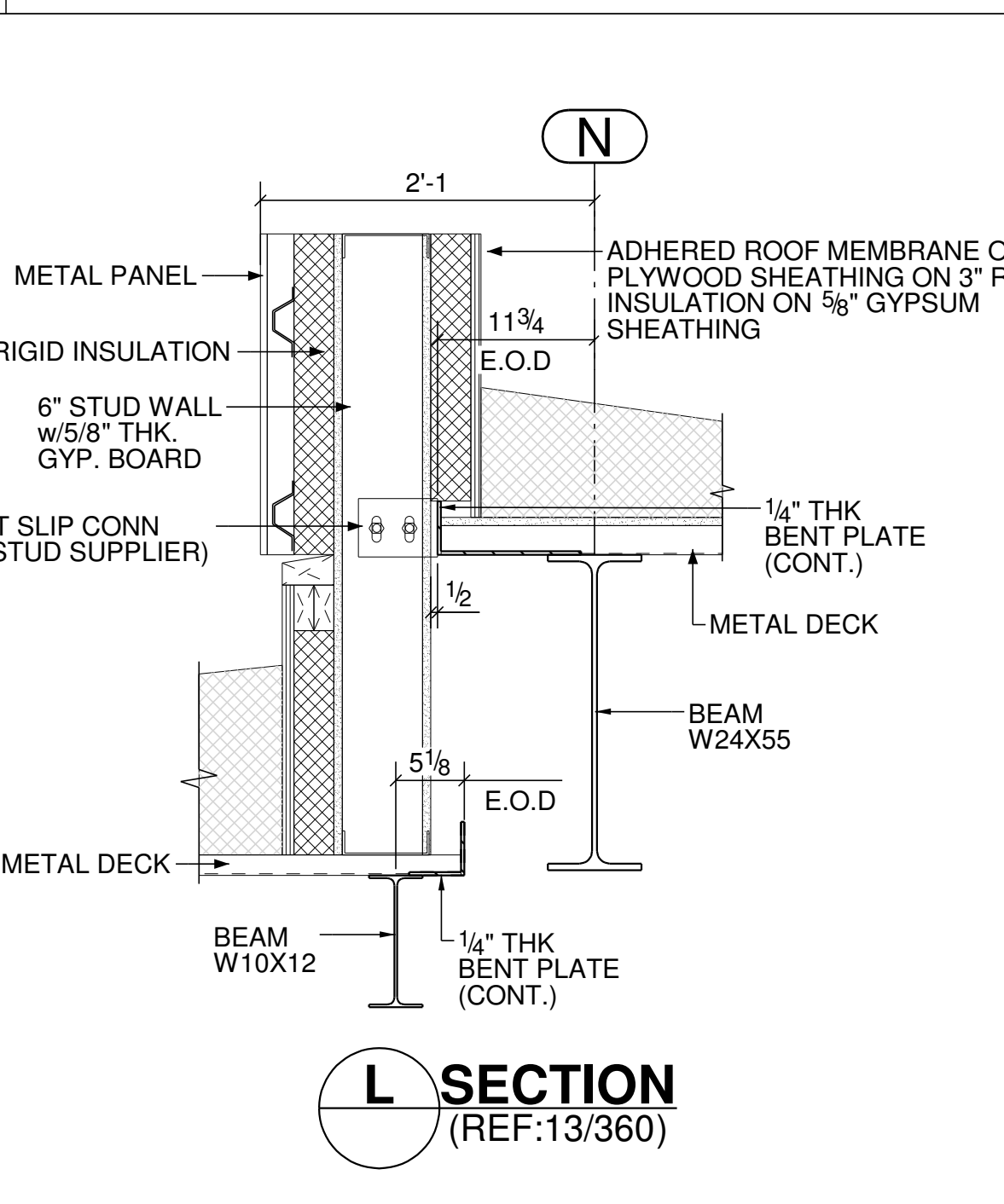
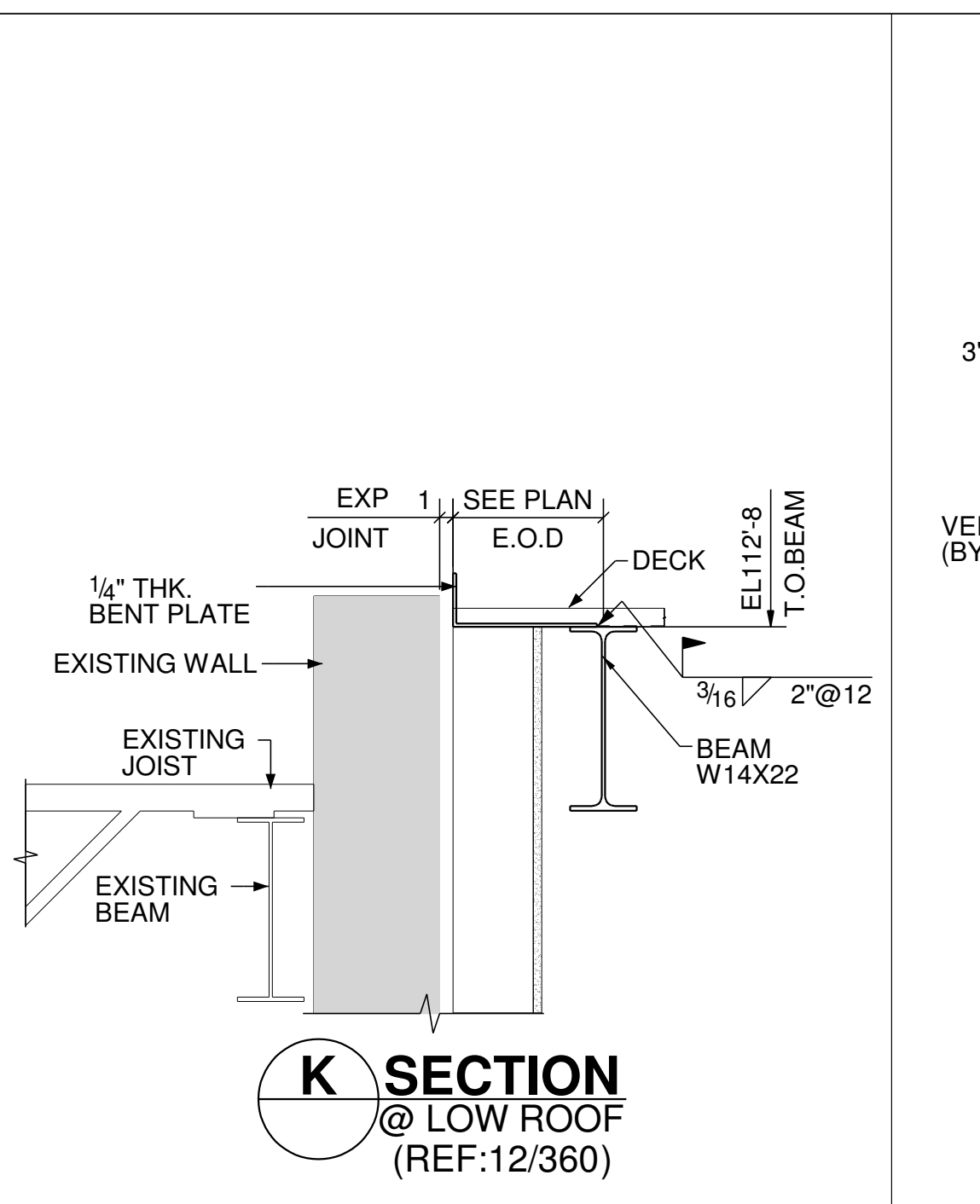
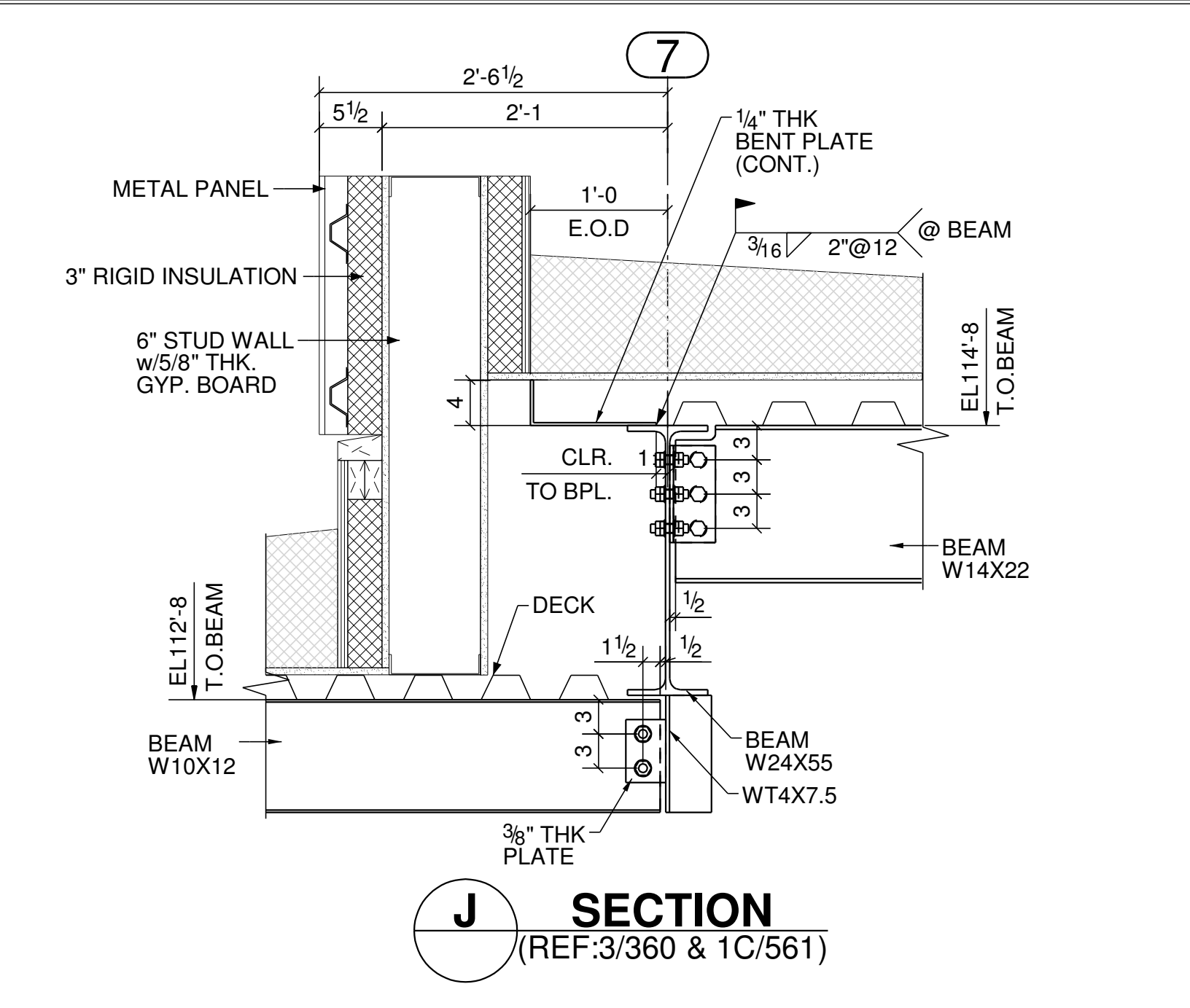
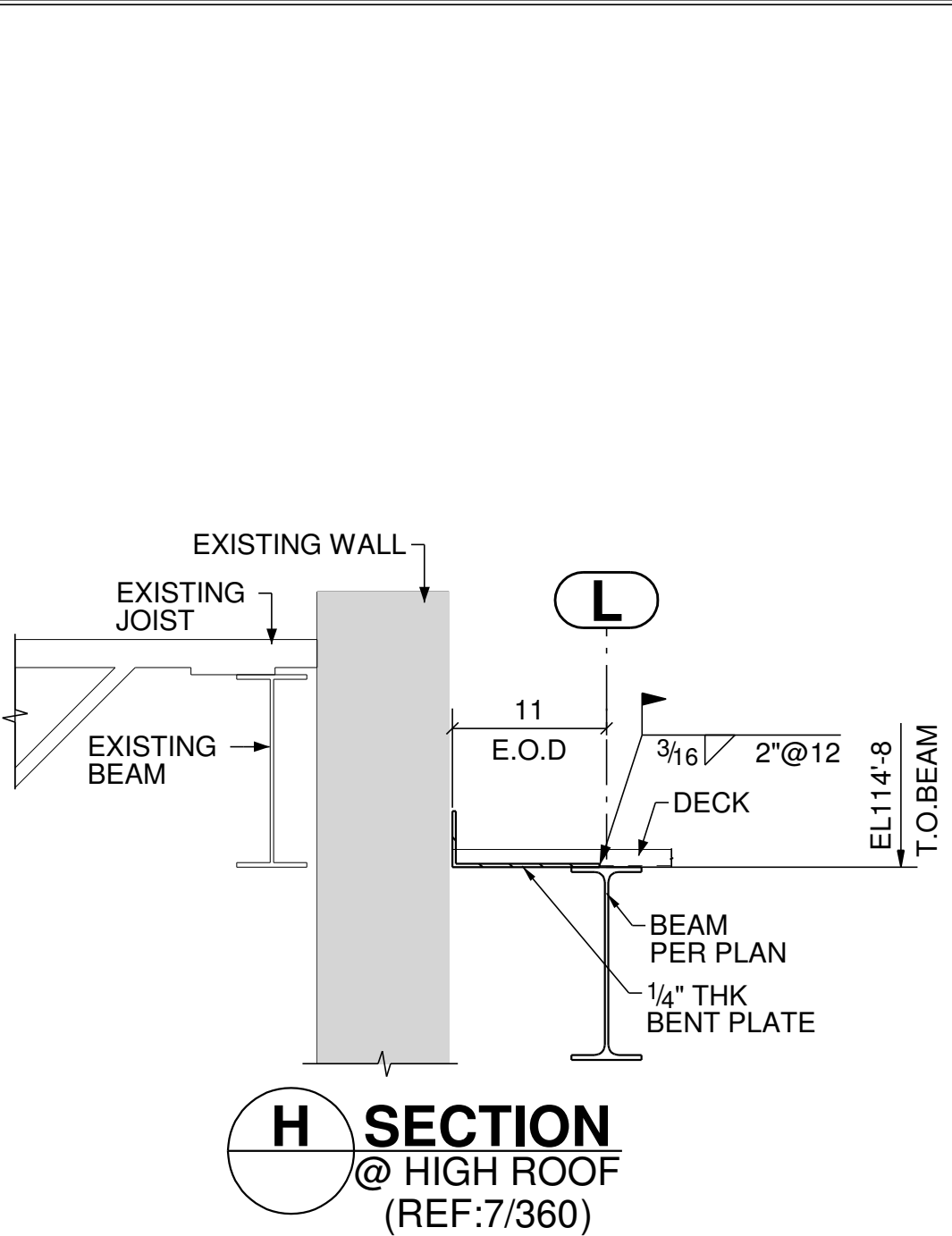
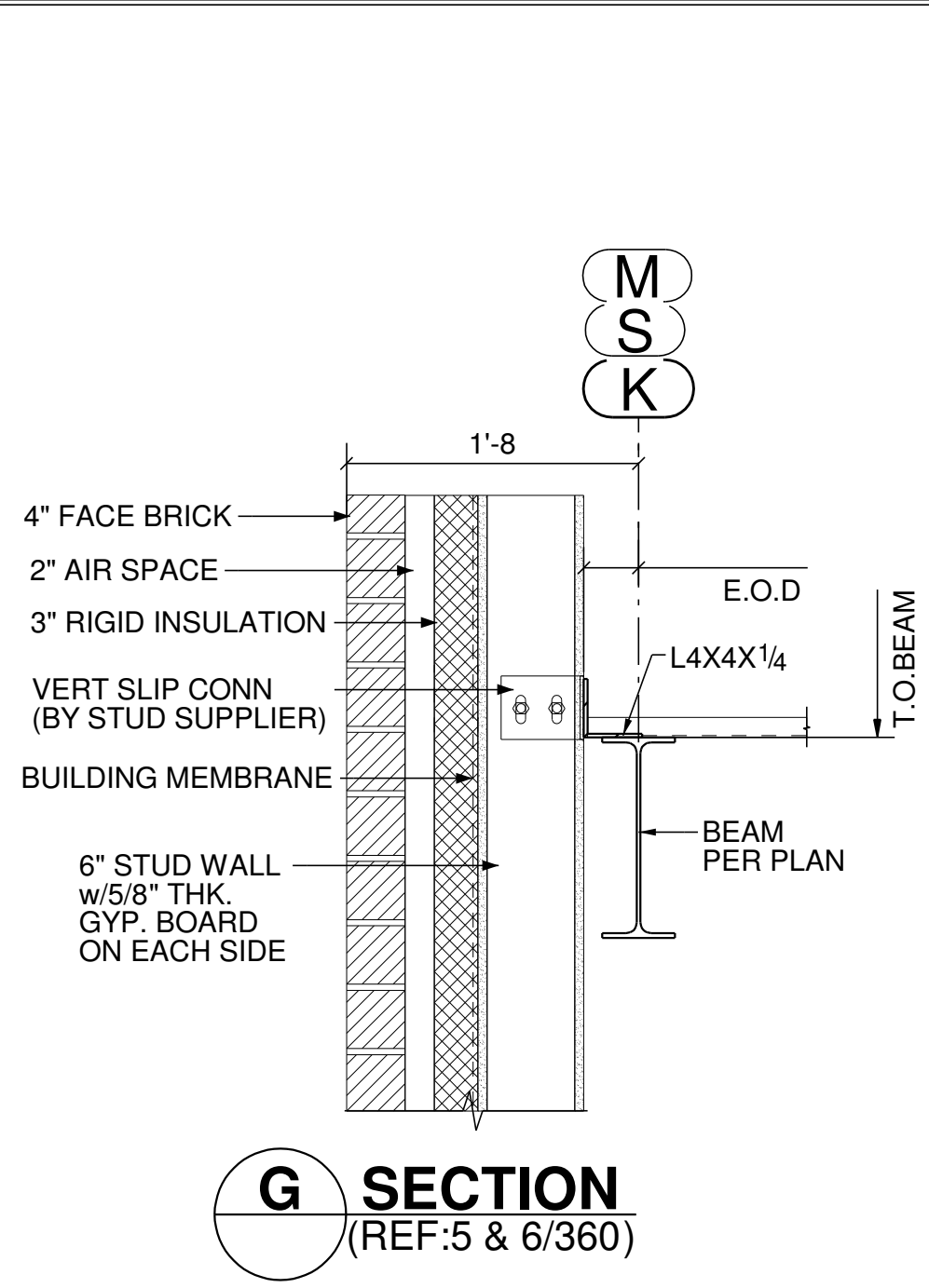
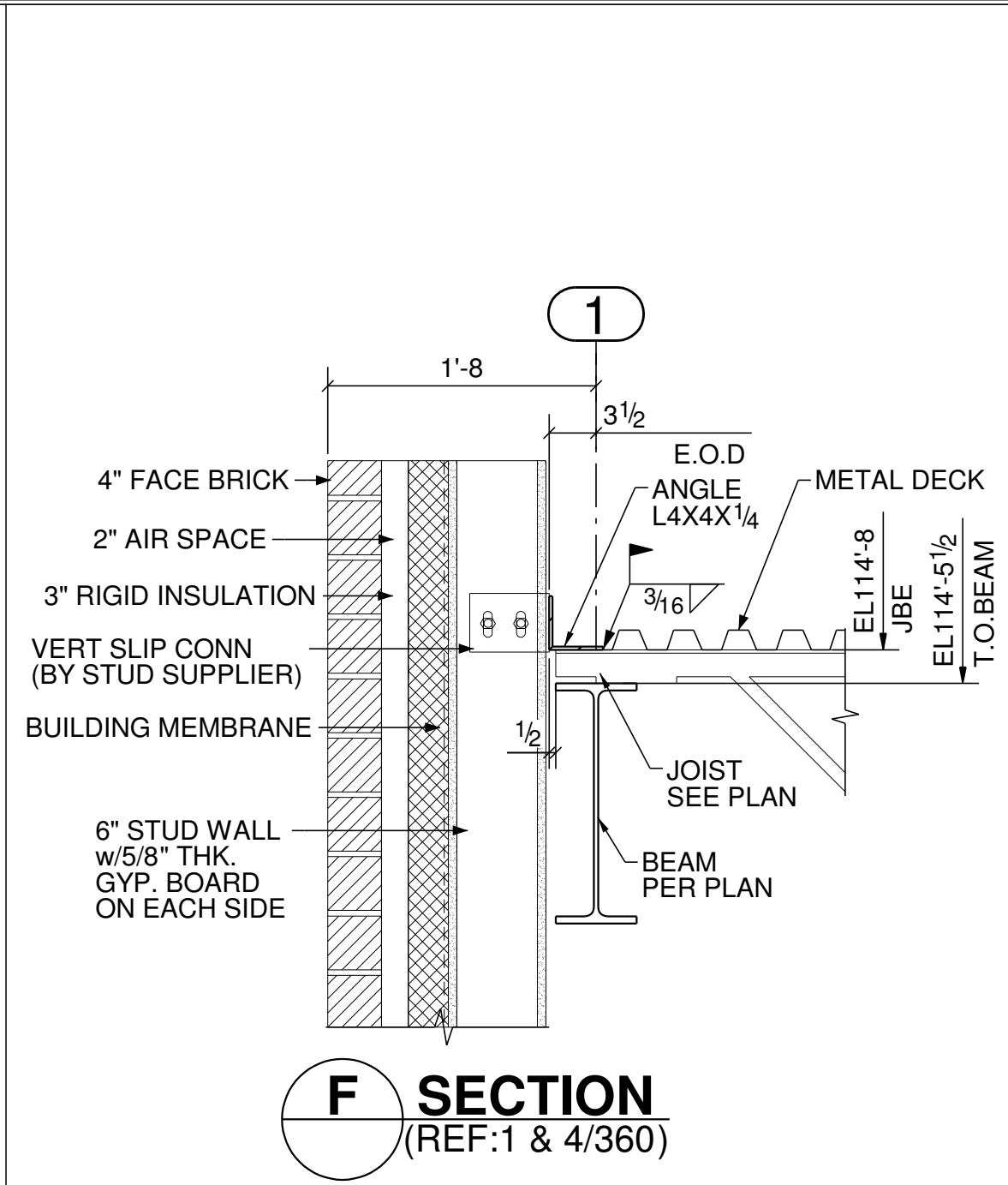
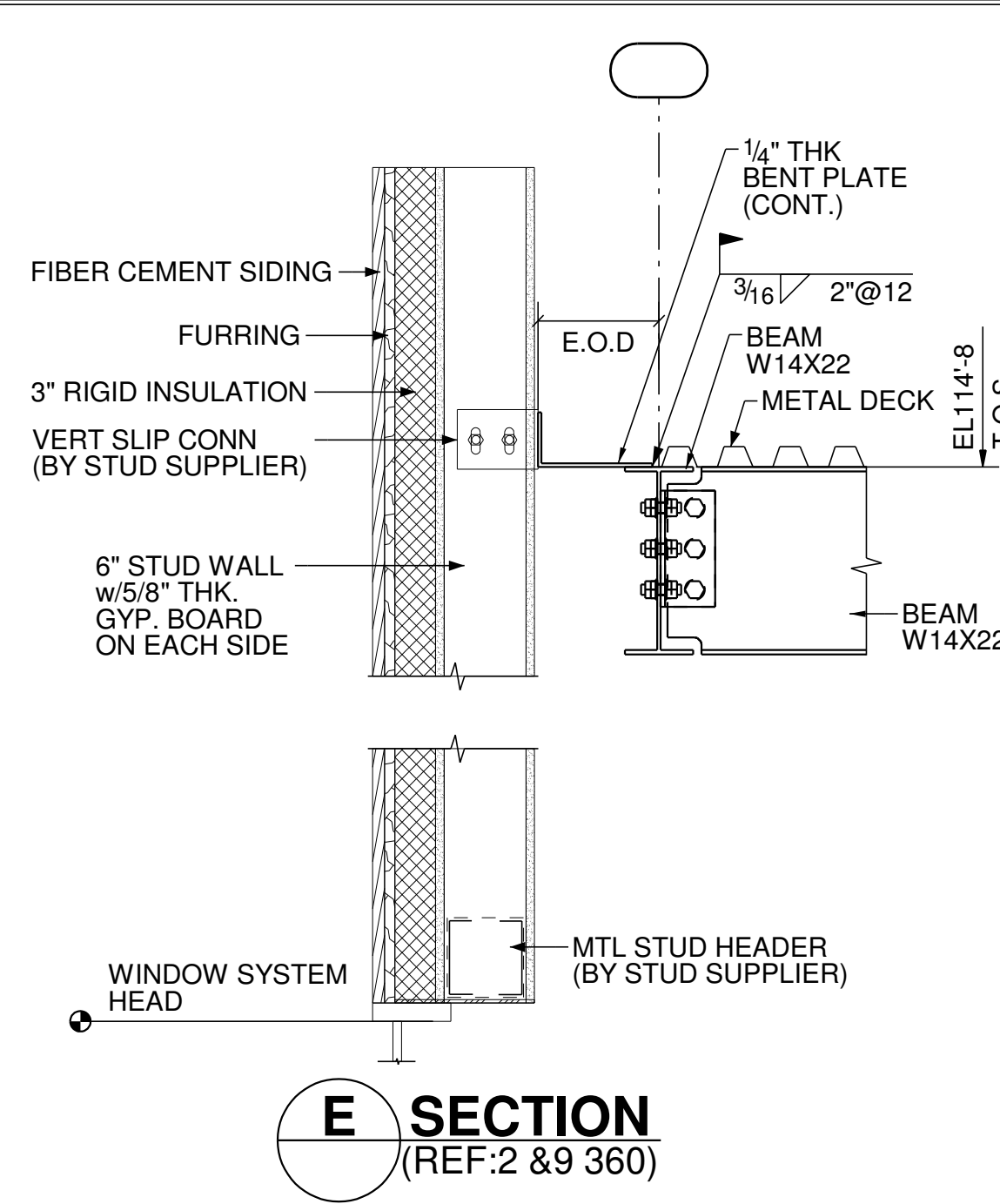


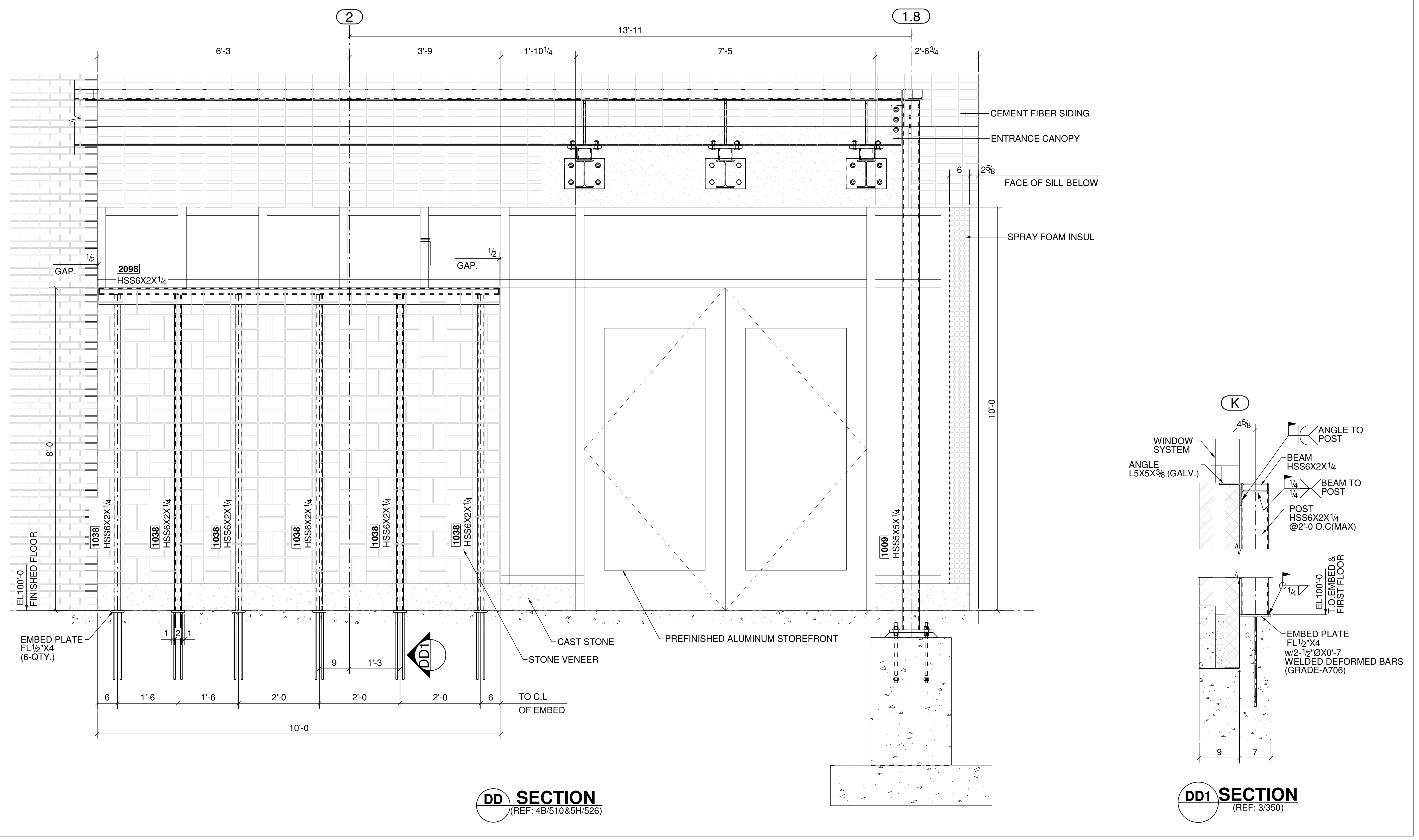
(TRUE NORTH) (PROJECT NORTH) **ROOF LEVEL ZONE 1 - FRAMING PLAN**



TYP. SPLICE CONNECTION

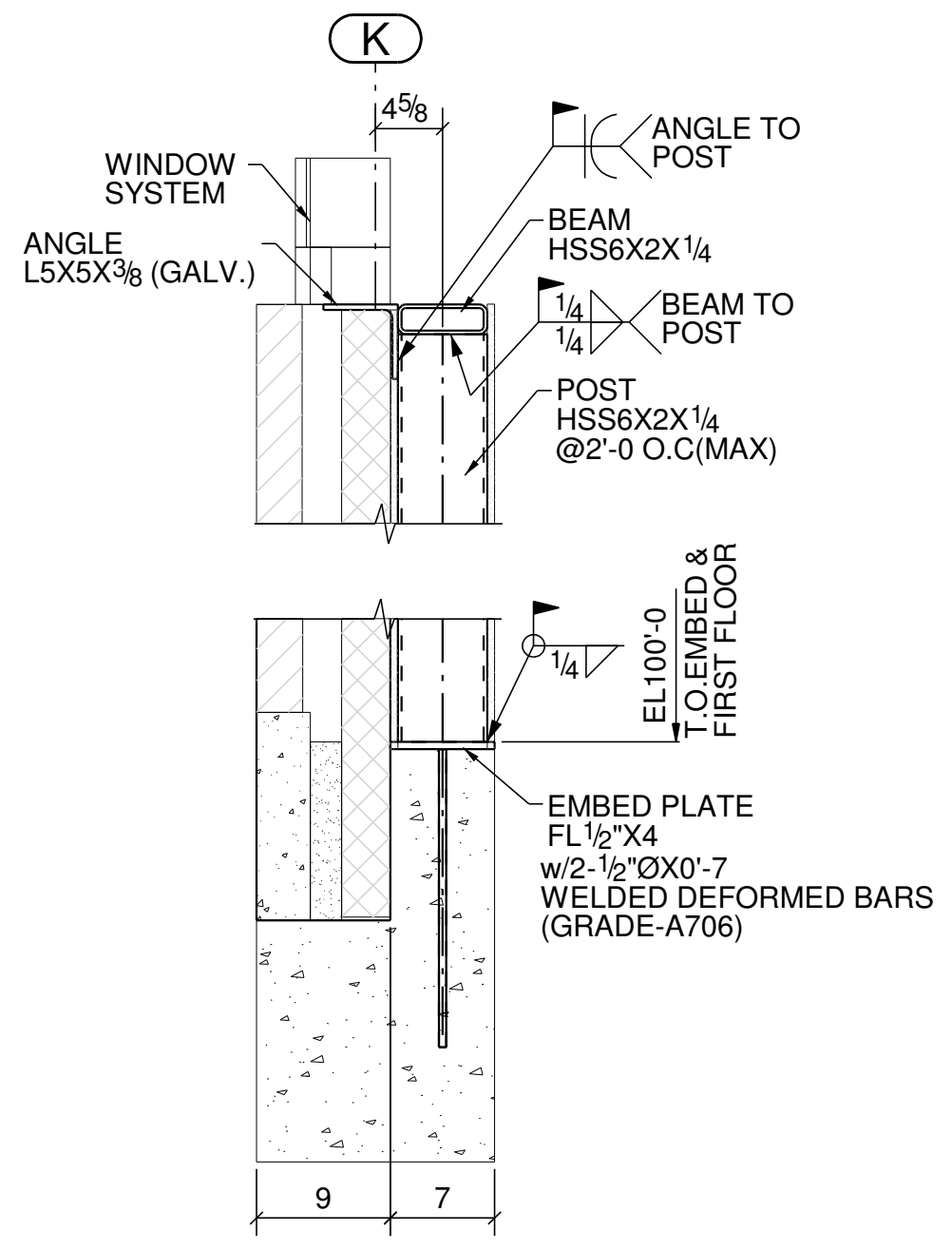
NOTE:
E.O.D - EDGE OF DECK

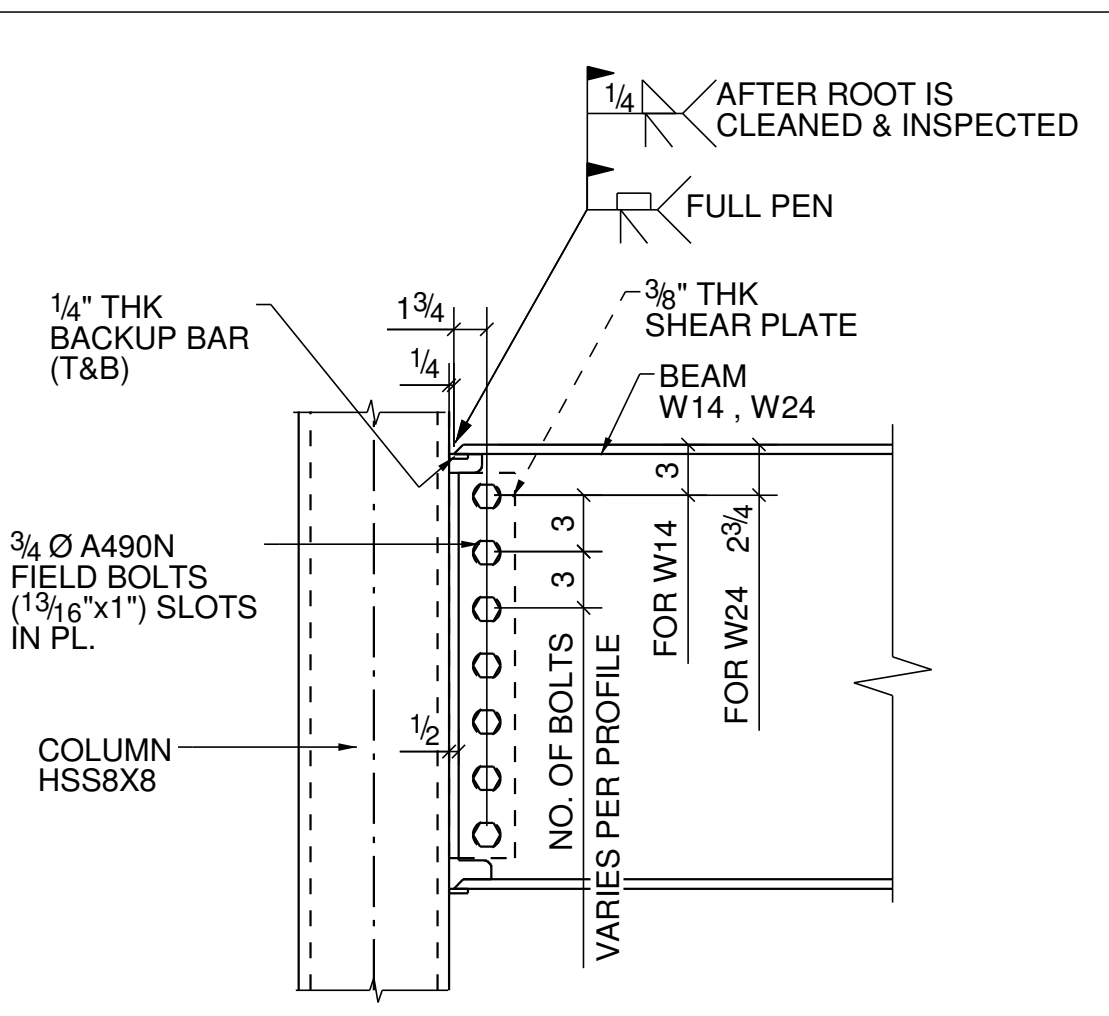




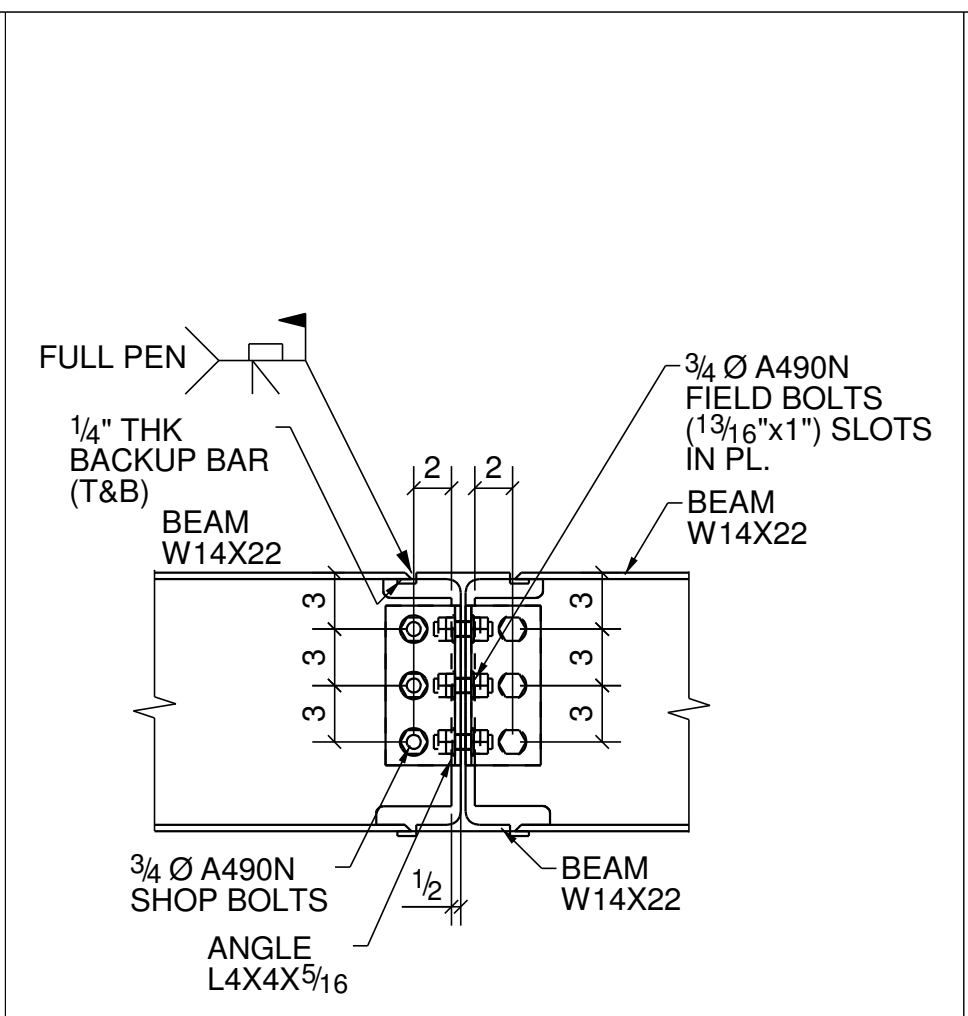
DD SECTION
(REF: 4B/510&5H/526)

DD1 SECTION
(REF: 3/350)

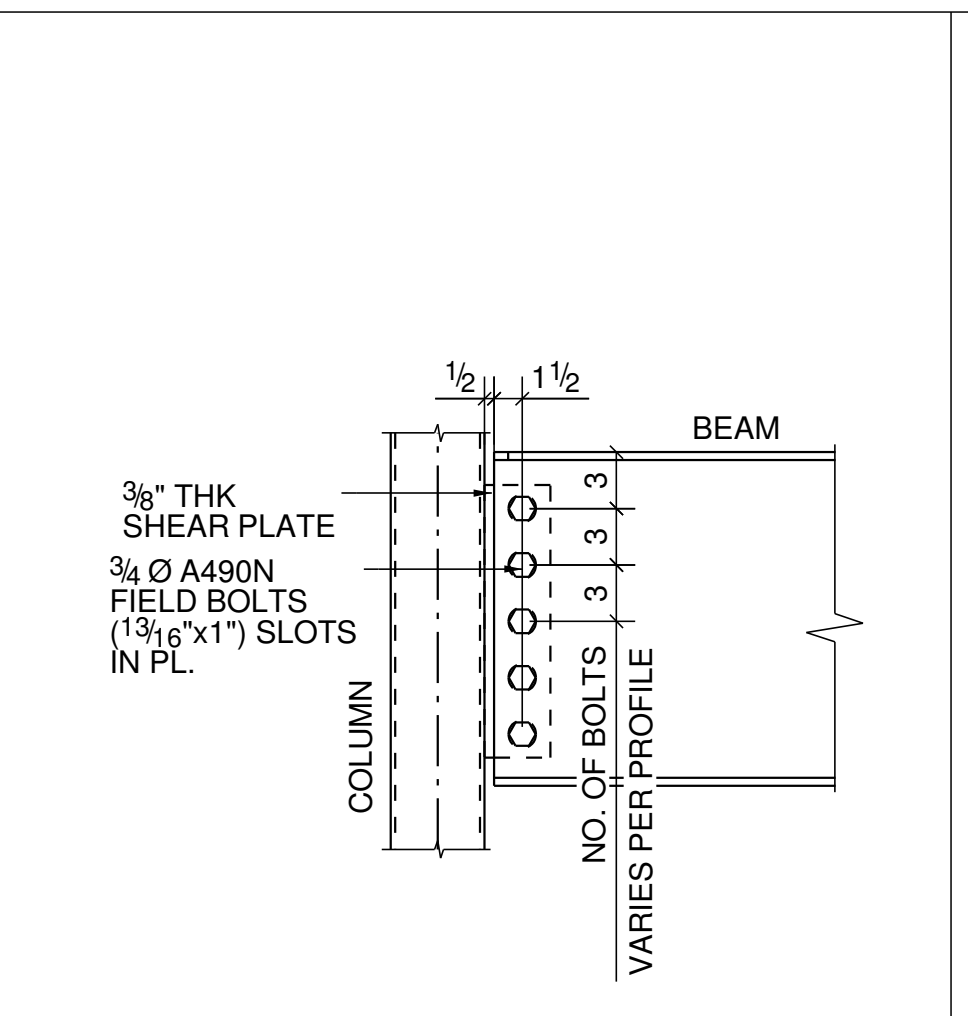




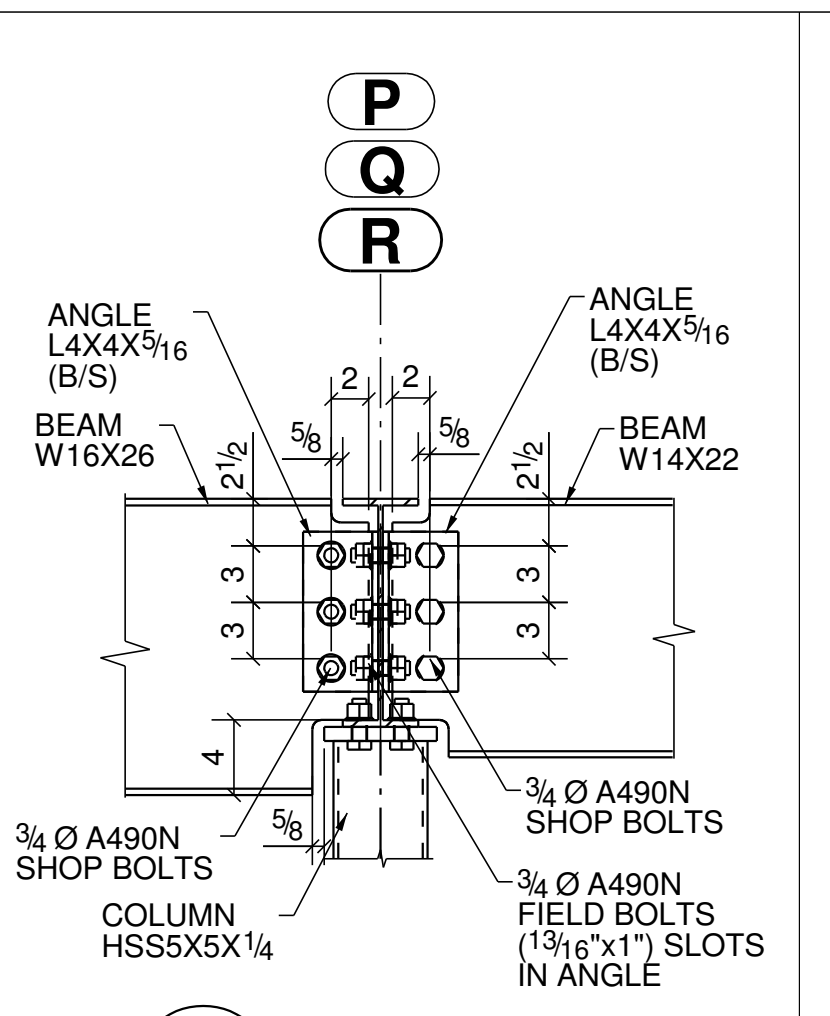
TYP. MOMENT CONNECTION COL. TO BEAM



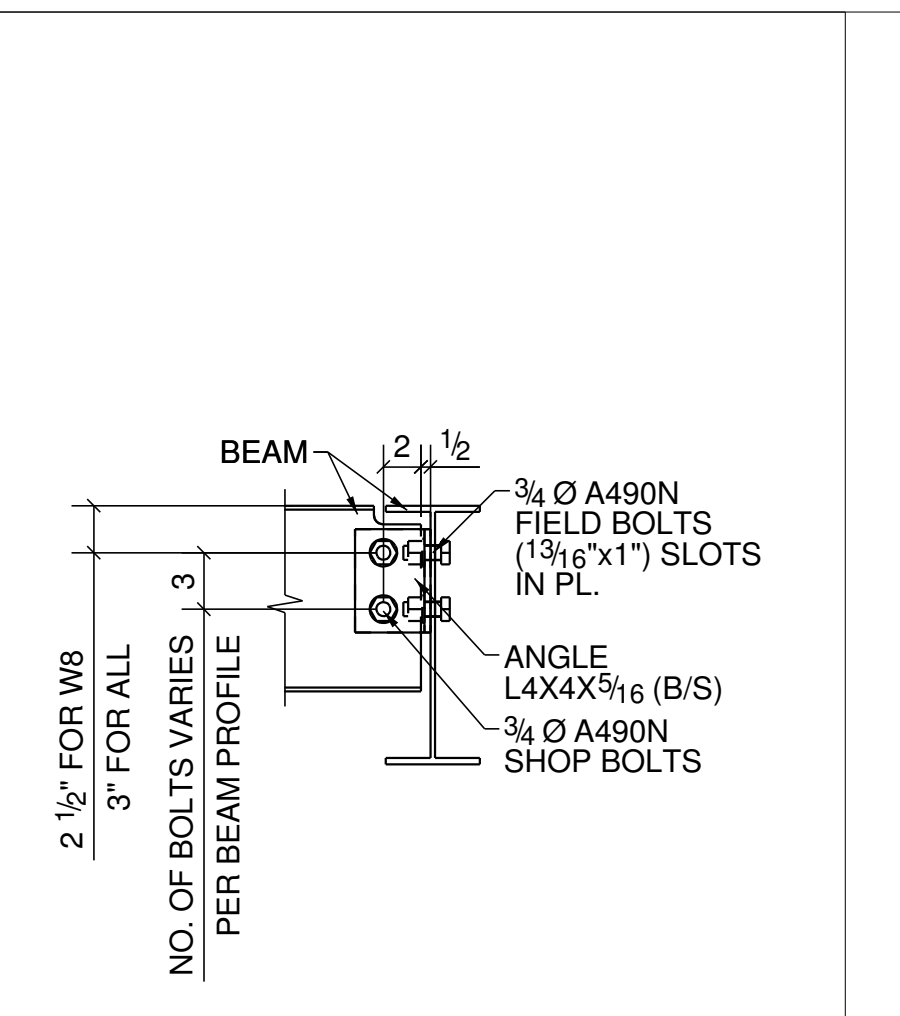
BEAM TO BEAM MOMENT CONNECTION



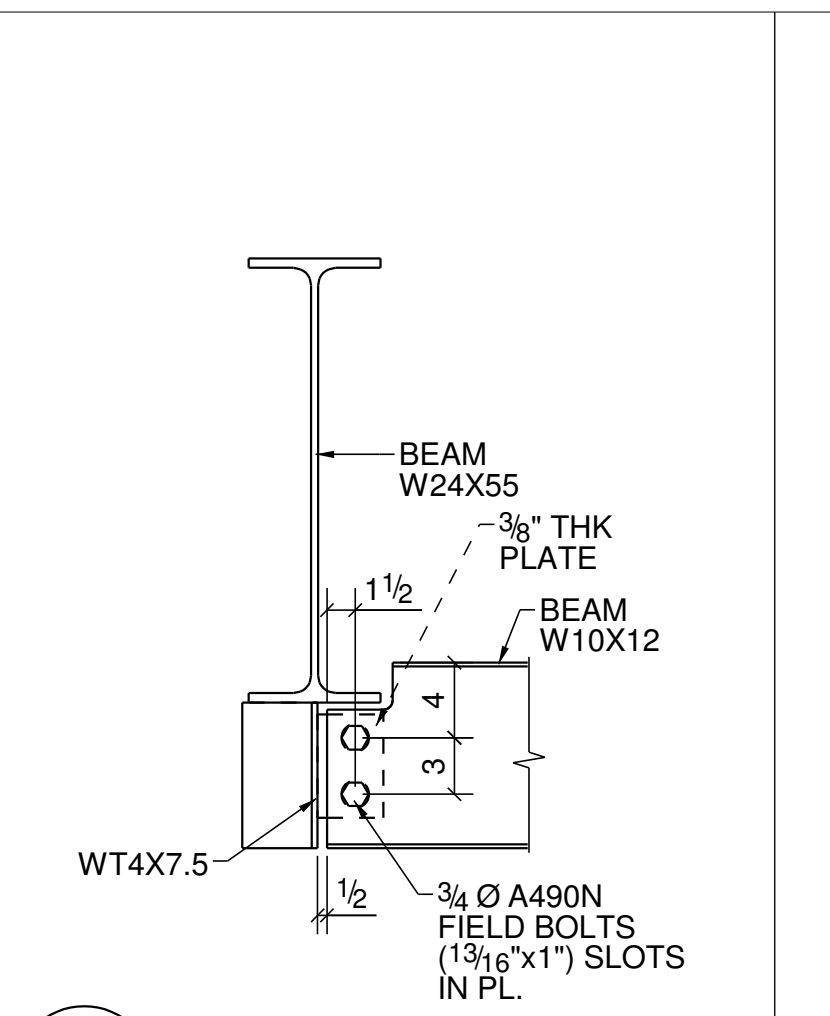
TYP. COL. TO BEAM SHEAR PLATE CONNECTION



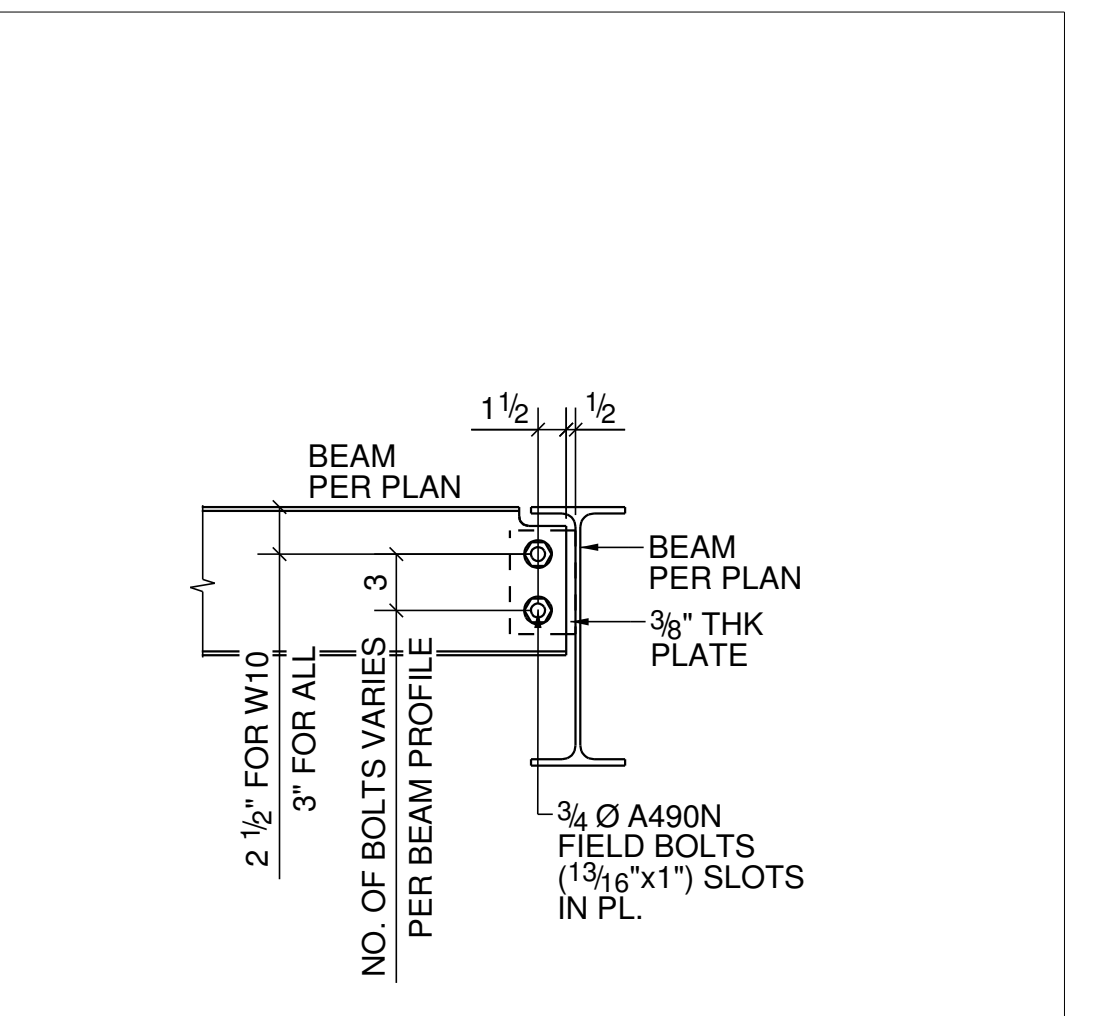
A SECTION ALONG GRID "3"



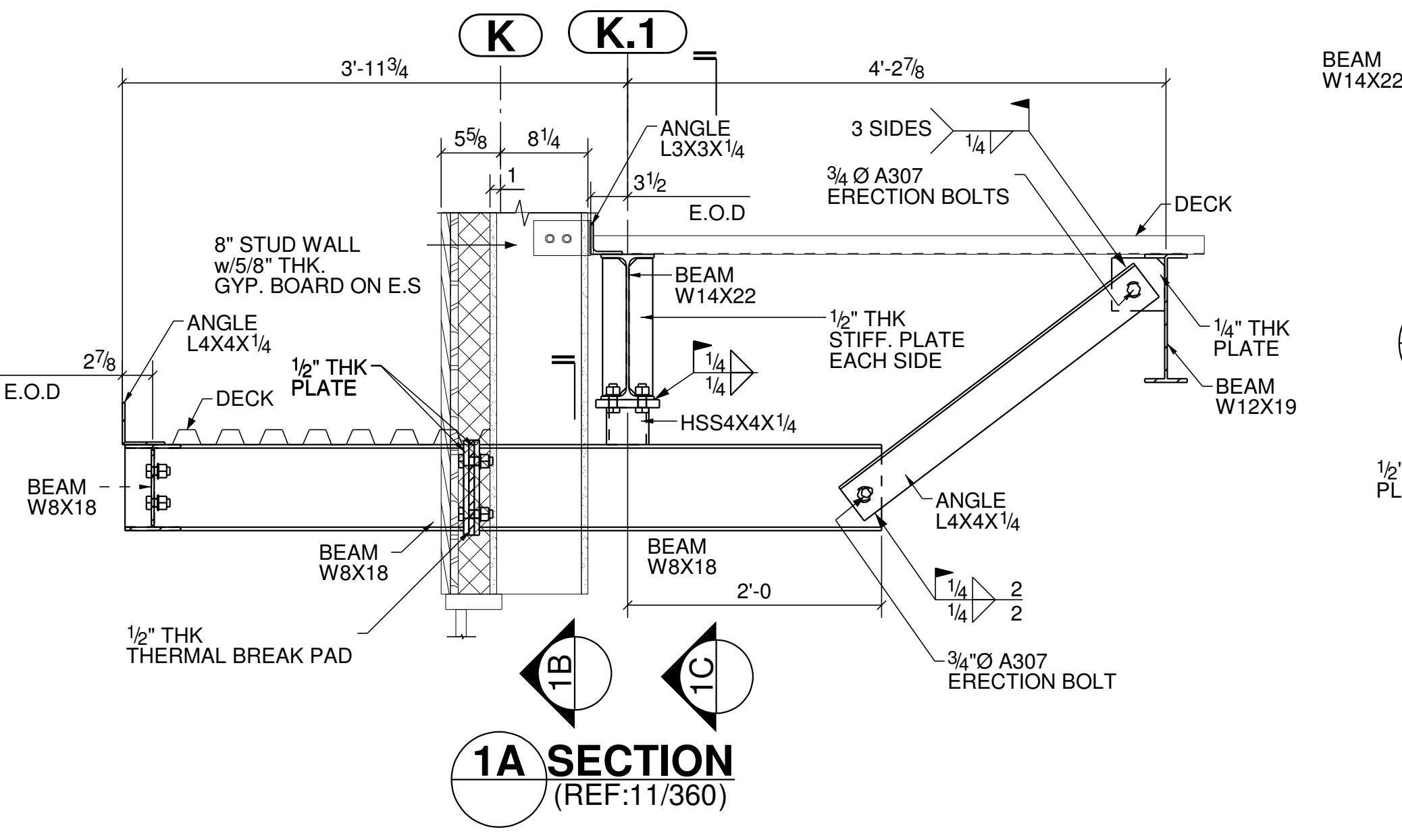
TYP. BEAM TO BEAM CLIP ANGLE CONNECTION



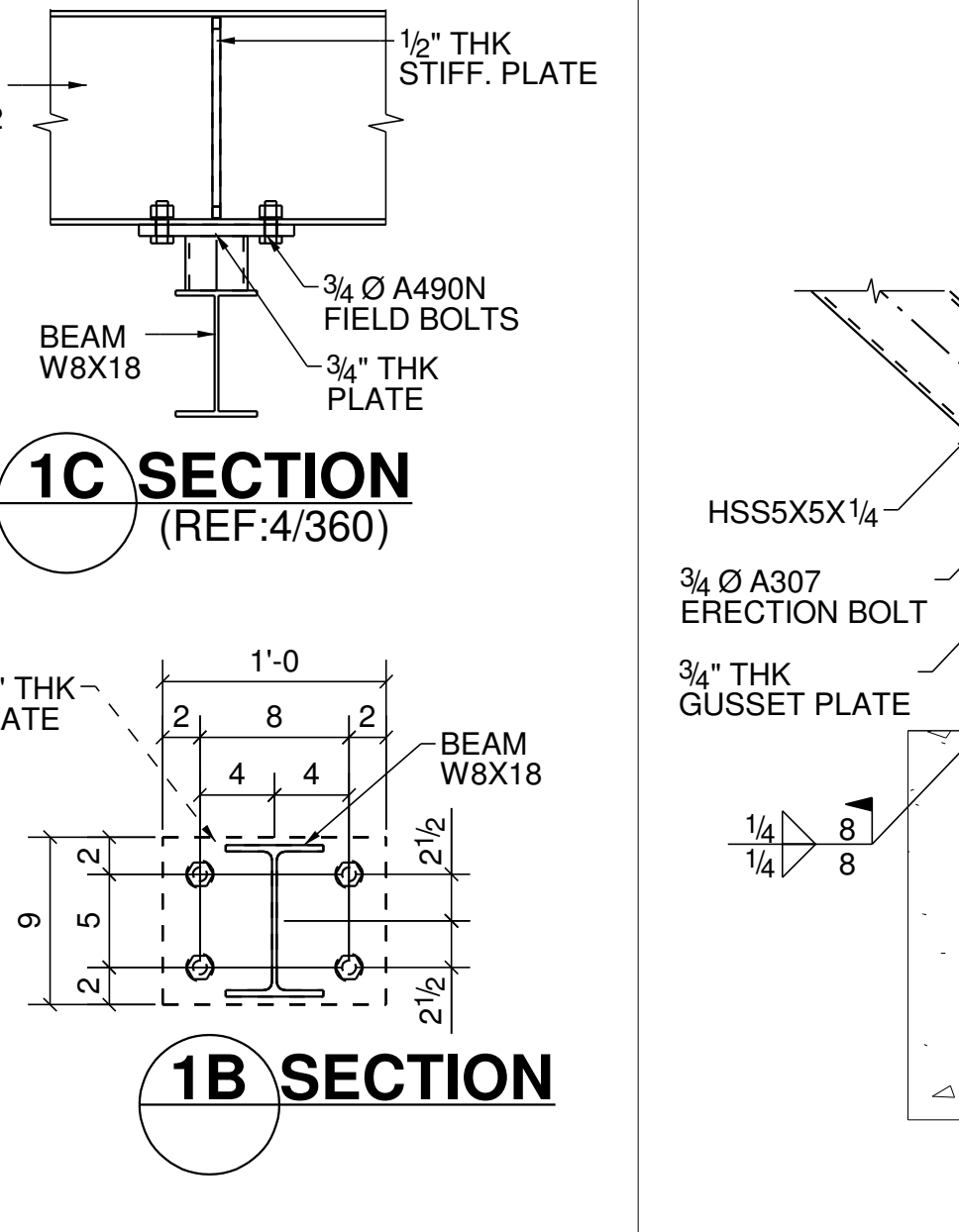
B SECTION (ALONG GRID "2", "7" & "4-2")



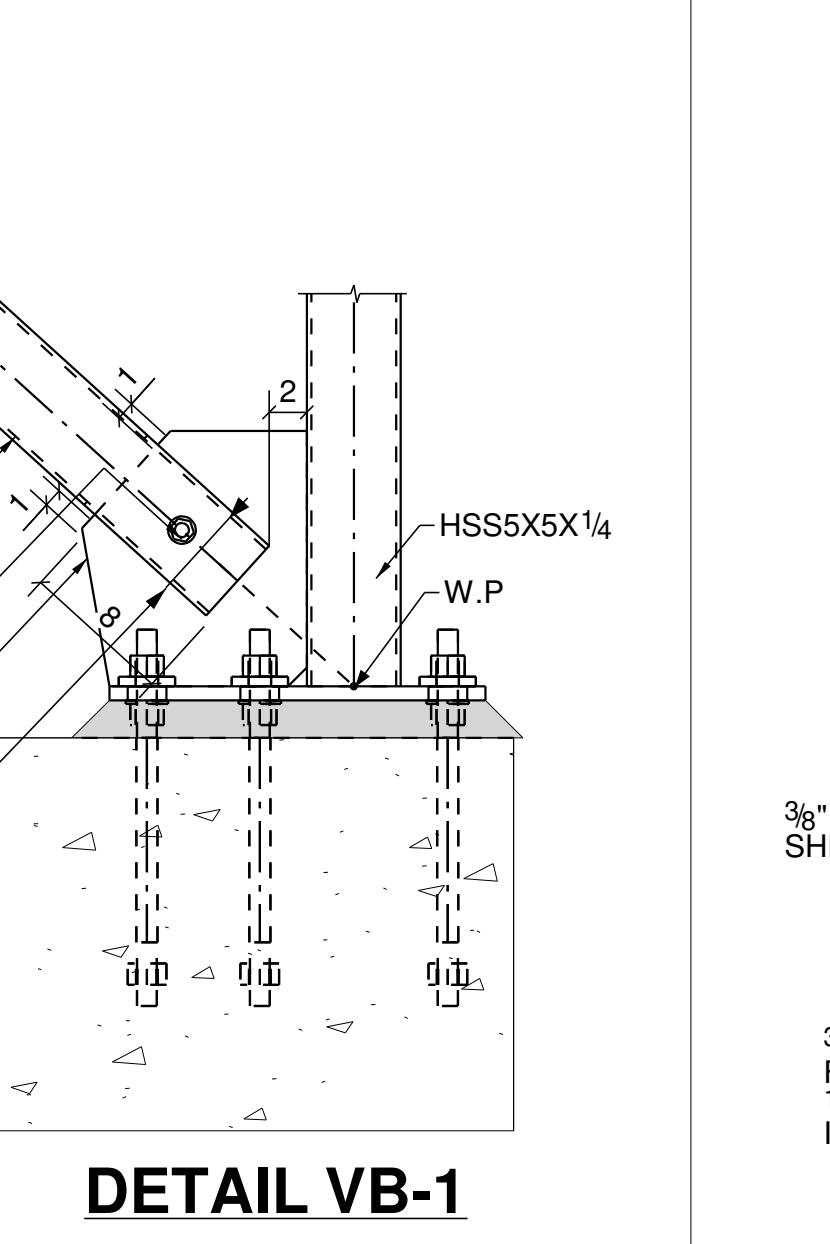
TYP. BEAM TO BEAM SHEAR PLATE CONNECTION



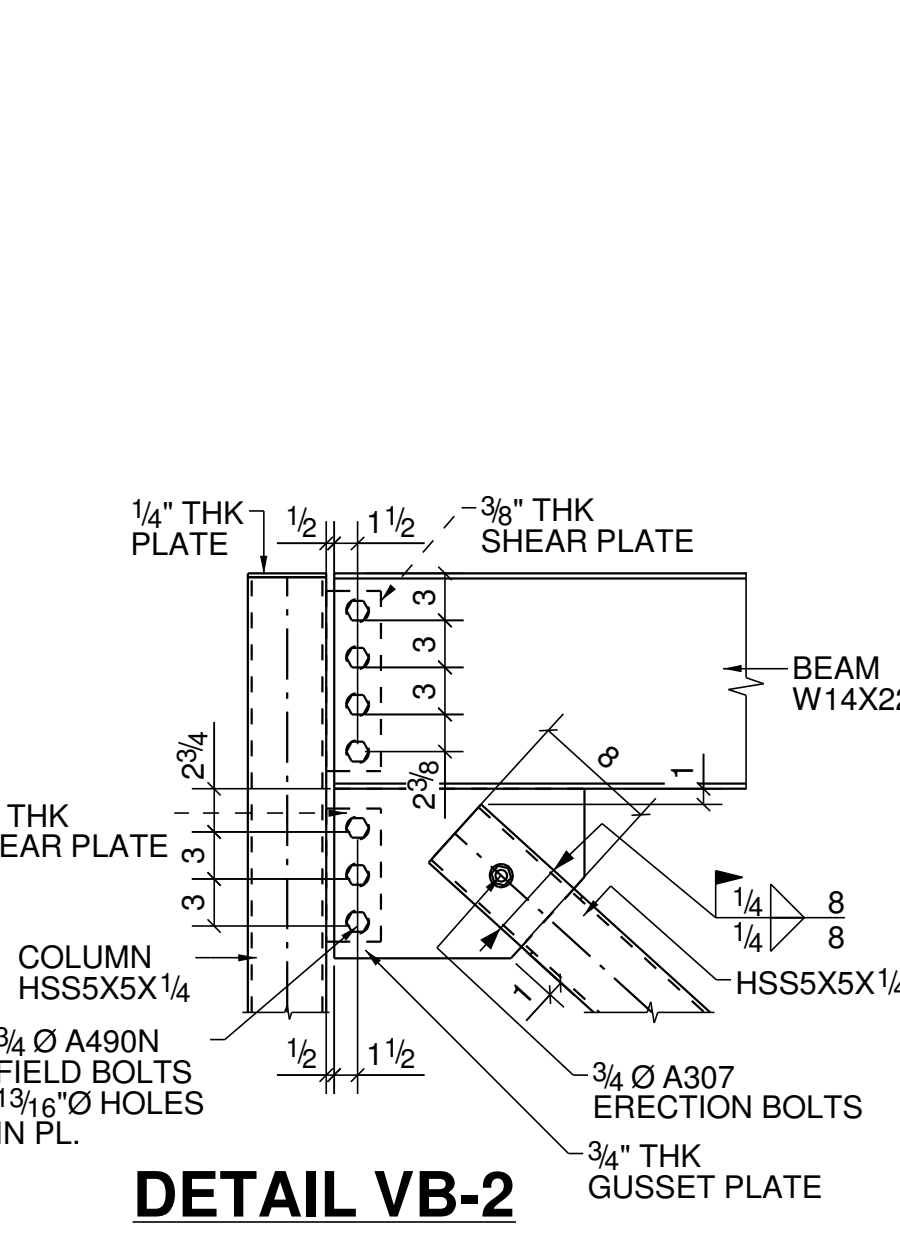
1A SECTION (REF:11/360)



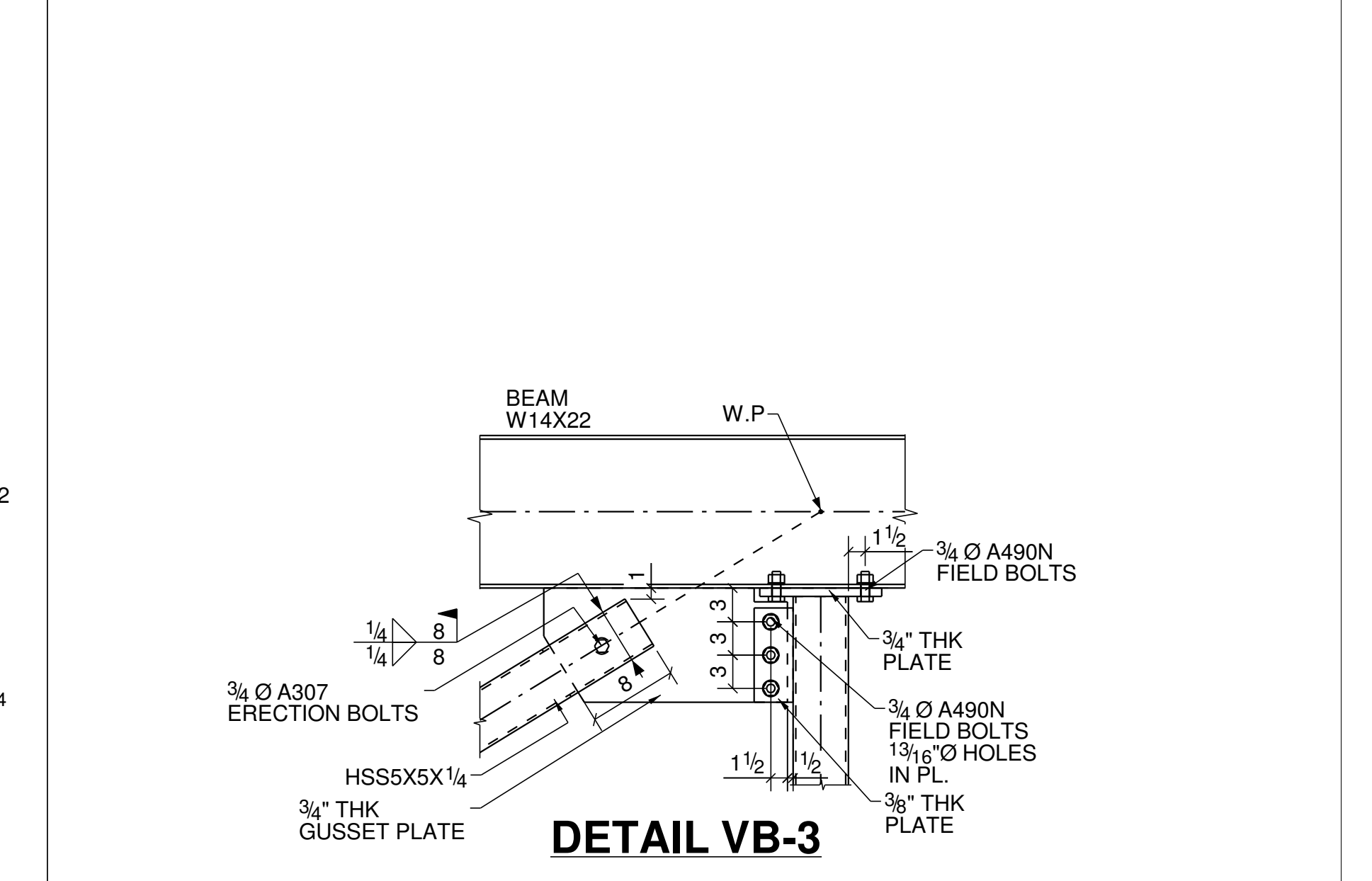
1B SECTION



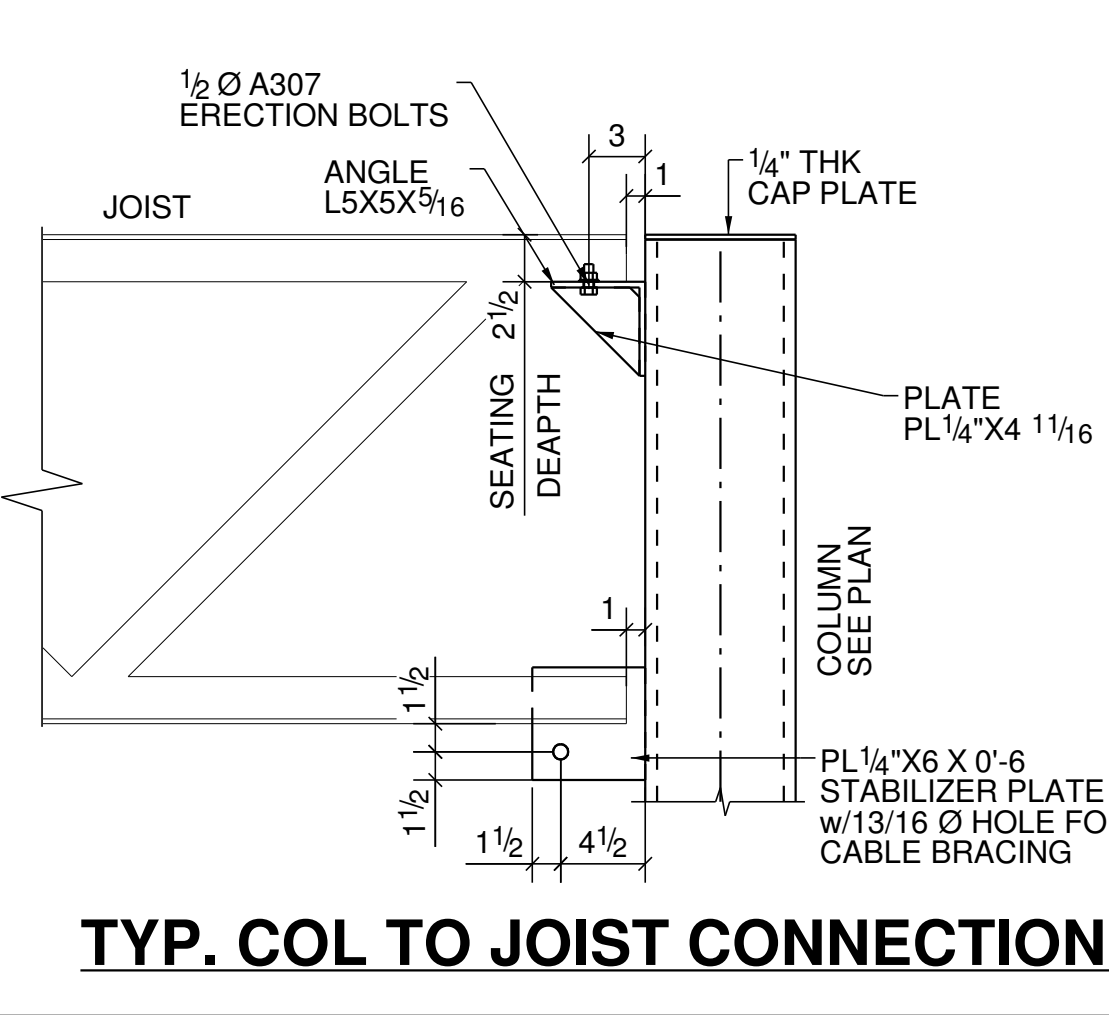
DETAIL VB-1



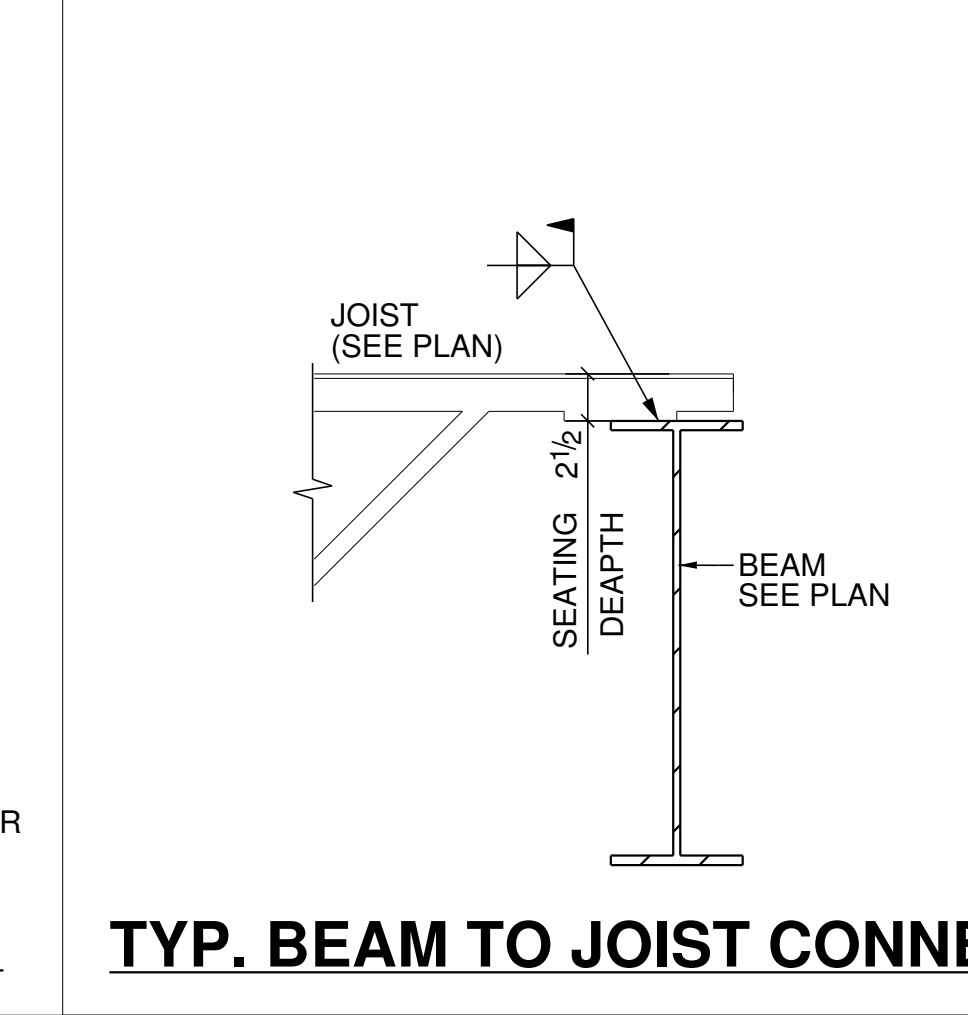
DETAIL VB-2



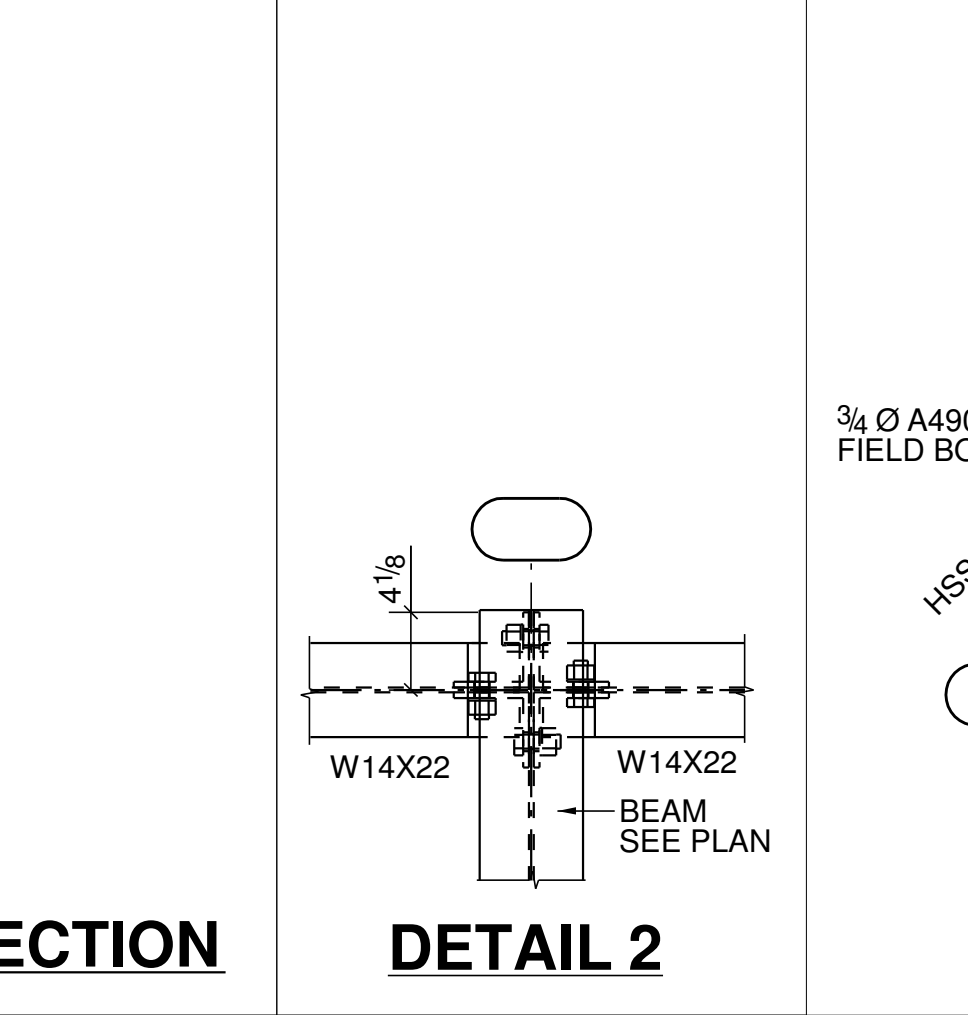
DETAIL VB-3



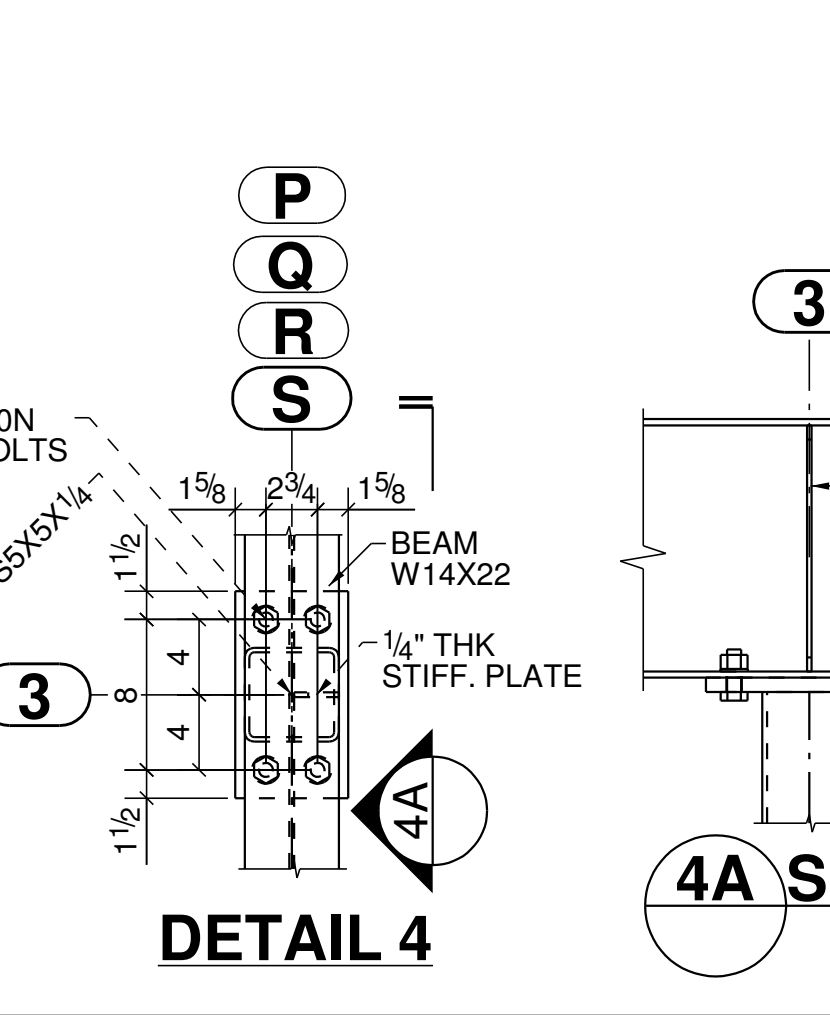
TYP. COL TO JOIST CONNECTION



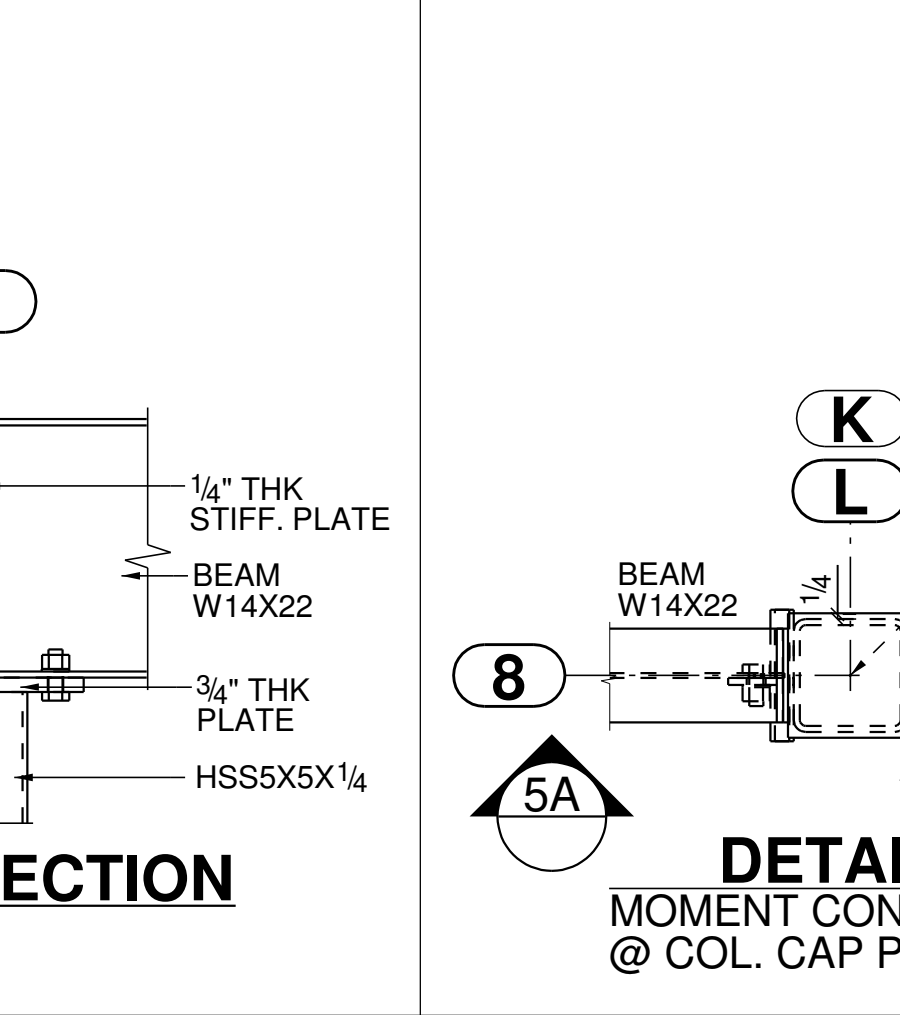
TYP. BEAM TO JOIST CONNECTION



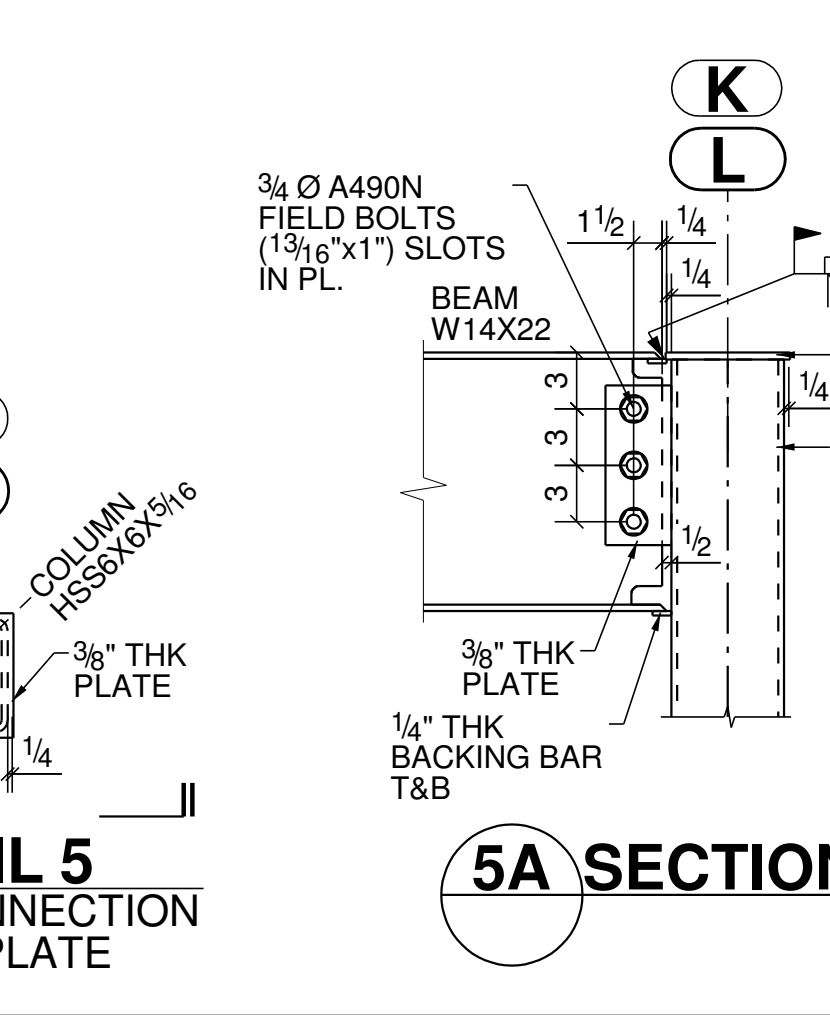
DETAIL 2



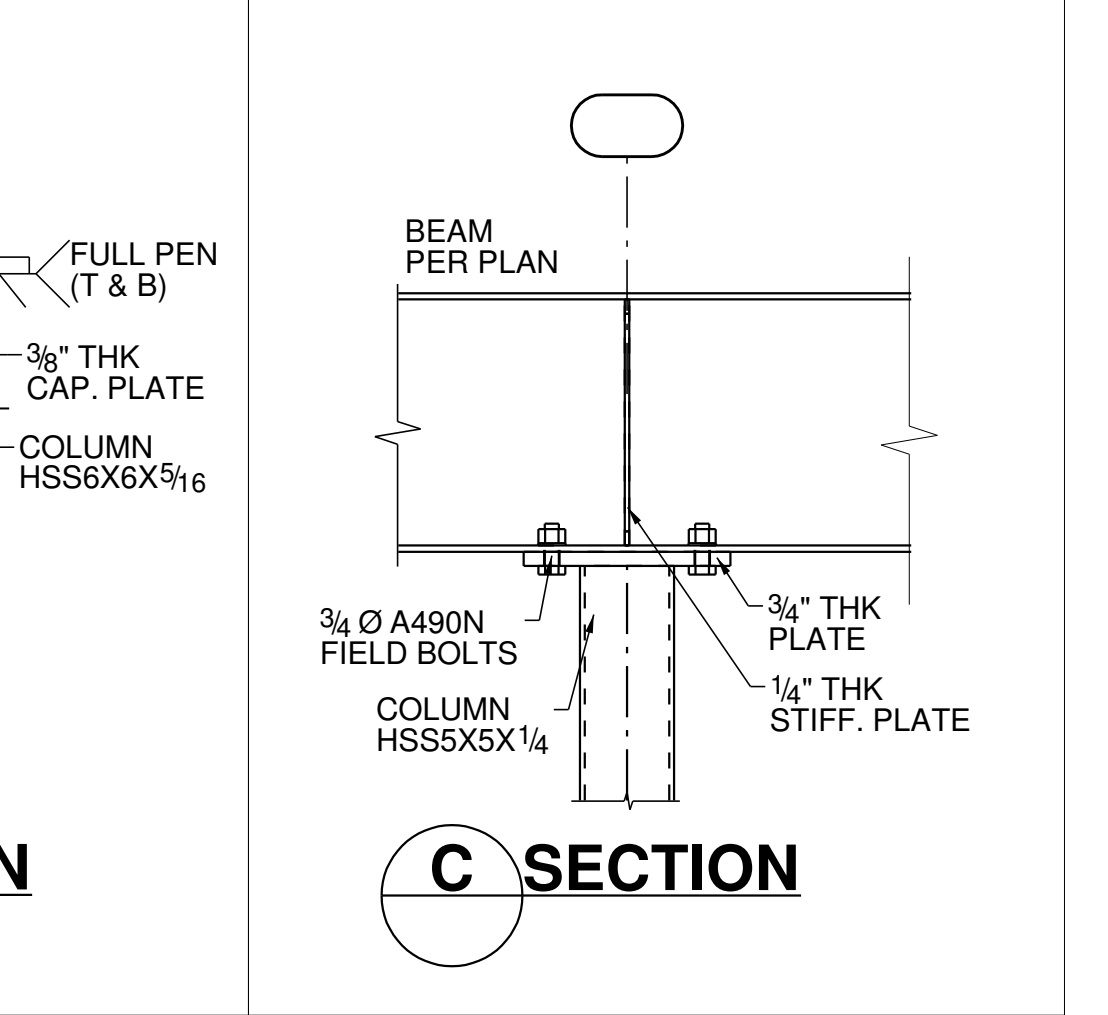
DETAIL 4



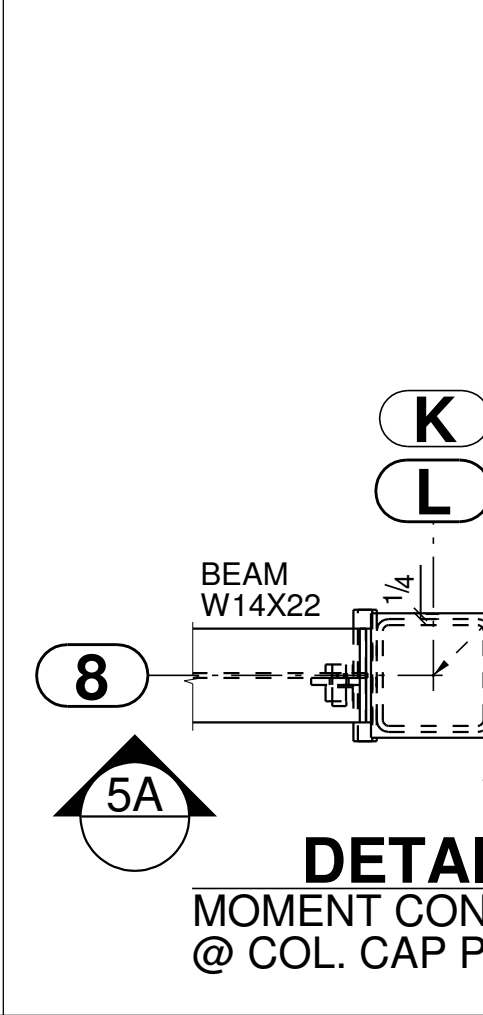
4A SECTION



5A SECTION



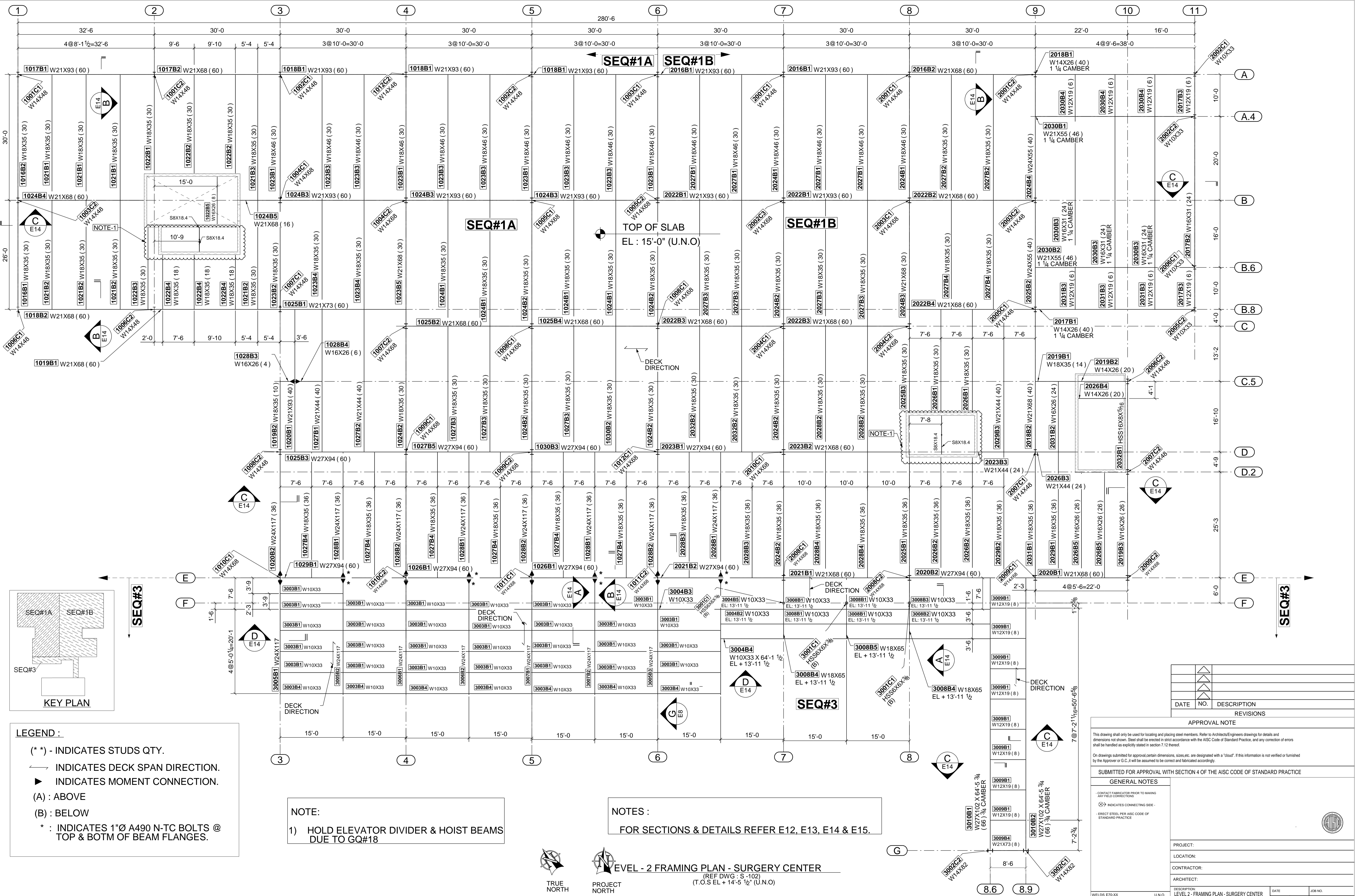
C SECTION



DETAIL 5 MOMENT CONNECTION @ COL. CAP PLATE

BEAM SIZE	SHEAR TAB CONN. (REF: DETAIL-1)				DOUBLE CLIP ANGLE CONN. (L4X4)(REFER DETAIL-2)			MINIMUM REQUIRED "KIPS" REACTION	
	NO OF BOLTS	PLATE(") THICKNESS	WELD SIZE(a)	SHEAR (KIPS) REACTION	ANGLE(") THICKNESS	ANGLE LENGTH	SHEAR (KIPS) REACTION	GIRDER CONNECTION	BEAM CONNECTION
W8, C8	2	3/8	1/4	31.6	5/16	5 1/2	61.2	30	16
W10, C10	2	3/8	1/4	31.6 <small>(55.6 IF 3 BOLTS USED)</small>	5/16	5 1/2	61.2	33	20
W12, C12	3	3/8	1/4	55.6	5/16	8 1/2	95.8	53	26
W14	3	3/8	1/4	55.6	5/16	8 1/2	95.8	60	36
W16	4	3/8	1/4	78.1 <small>(95.8 IF 3 BOLTS USED)</small>	5/16	11 1/2	127	64	48
W18	5	3/8	1/4	96.3	5/16	14 1/2	157	105	48
W21	6	3/8	1/4	115	5/16	17 1/2	187	120	64
W24	7	3/8	1/4	133	5/16	20 1/2	218	125	64

1. ALL BOLTS ARE 3/4" Ø A490N U.O.N. 2. SHEAR PLATE LENGTH SAME AS DOUBLE CLIP ANGLE LENGTH.



LEGEND :

- (*) - INDICATES STUDS QTY.
- ← INDICATES DECK SPAN DIRECTION.
- ▶ INDICATES MOMENT CONNECTION.
- (A) : ABOVE
- (B) : BELOW
- * : INDICATES 1"Ø A490 N-TC BOLTS @ TOP & BOTM OF BEAM FLANGES.

NOTE:

1) HOLD ELEVATOR DIVIDER & HOIST BEAMS DUE TO GQ#18

NOTES :

FOR SECTIONS & DETAILS REFER E12, E13, E14 & E15.

DATE	NO.	DESCRIPTION	REVISIONS

APPROVAL NOTE

This drawing shall only be used for locating and placing steel members. Refer to Architects/Engineers drawings for details and dimensions not shown. Steel shall be erected in strict accordance with the AISC Code of Standard Practice, and any correction of errors shall be handled as explicitly stated in section 7.12 thereof.

On drawings submitted for approval certain dimensions, sizes, etc. are designated with a "circle" if this information is not verified or furnished by the Approver or G.C. it will be assumed to be correct and fabricated accordingly.

SUBMITTED FOR APPROVAL WITH SECTION 4 OF THE AISC CODE OF STANDARD PRACTICE

GENERAL NOTES

- CONTACT FABRICATOR PRIOR TO MAKING ANY FIELD CORRECTIONS.
- ⊗ INDICATES CONNECTING SIDE.
- ERECT STEEL PER AISC CODE OF STANDARD PRACTICE.

PROJECT:	
LOCATION:	
CONTRACTOR:	
ARCHITECT:	
DESCRIPTION:	LEVEL 2 - FRAMING PLAN - SURGERY CENTER
DATE:	
JOB NO.:	
WELDS E70-XX	U.N.O.
BOLTS A325-NTC	U.N.O.
DATE:	
DRAWN BY:	
CHECKED BY:	
DATE:	
JOB NO.:	
DATE:	
DWG NO.:	E1

TRUE NORTH

PROJECT NORTH

LEVEL - 2 FRAMING PLAN - SURGERY CENTER
(REF DWG. : S-102)
(T.O.S EL + 14'-5 1/2" (U.N.O))



LEGEND :

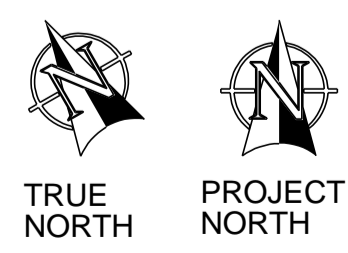
- (XX) - INDICATES STUDS QTY.
- (A) - INDICATES POST ABOVE
- (B) - INDICATES (BELOW)
- ▶ - MOMENT CONNECTION
- ⊗ - INDICATES BEAM FLANGE BRACE

NOTES :

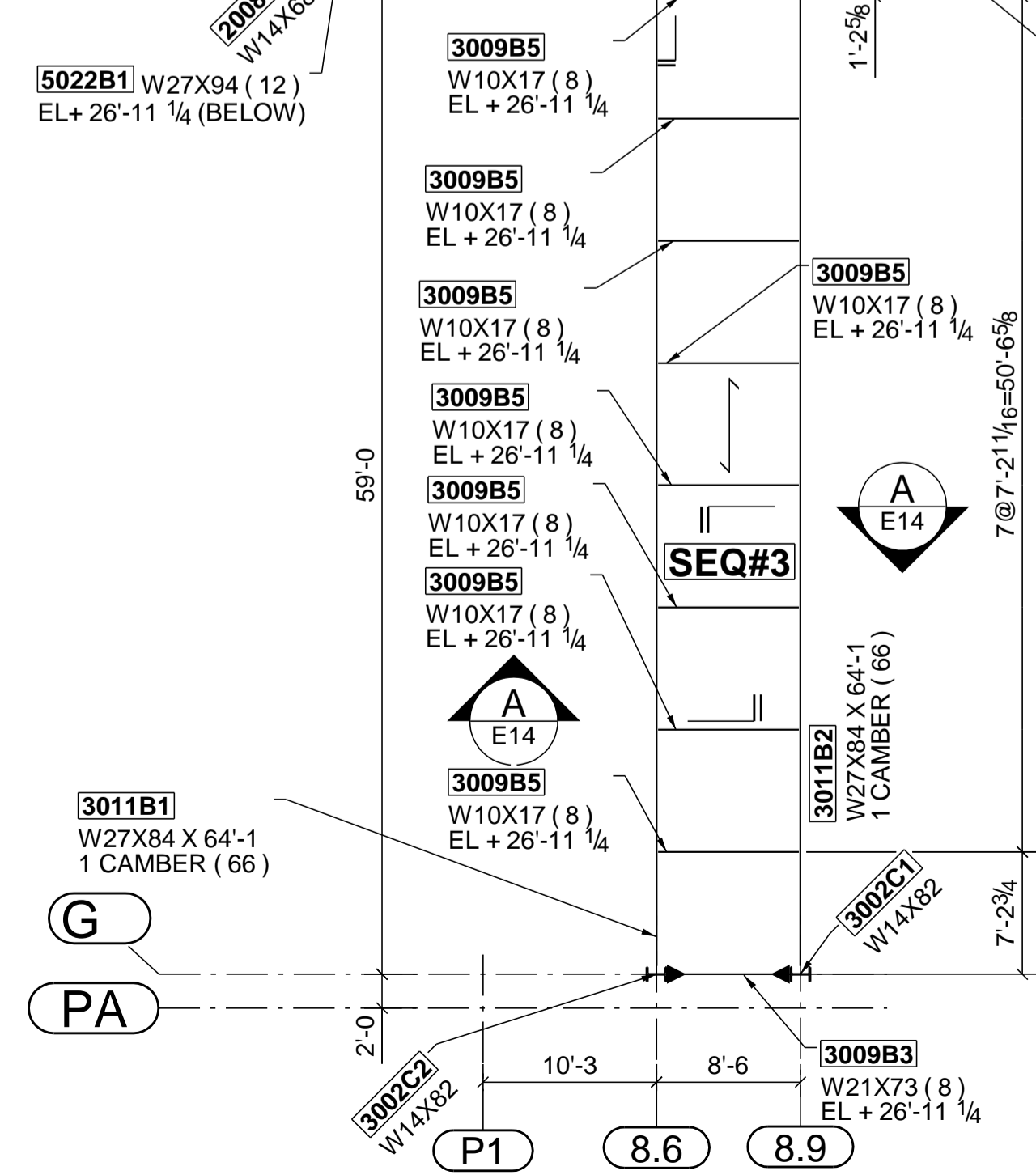
FOR SECTIONS & DETAILS REFER E12, E13, E14 & E15.

NOTE:

1) HOLD ELEVATOR DIVIDER & HOIST BEAMS DUE TO GQ#18

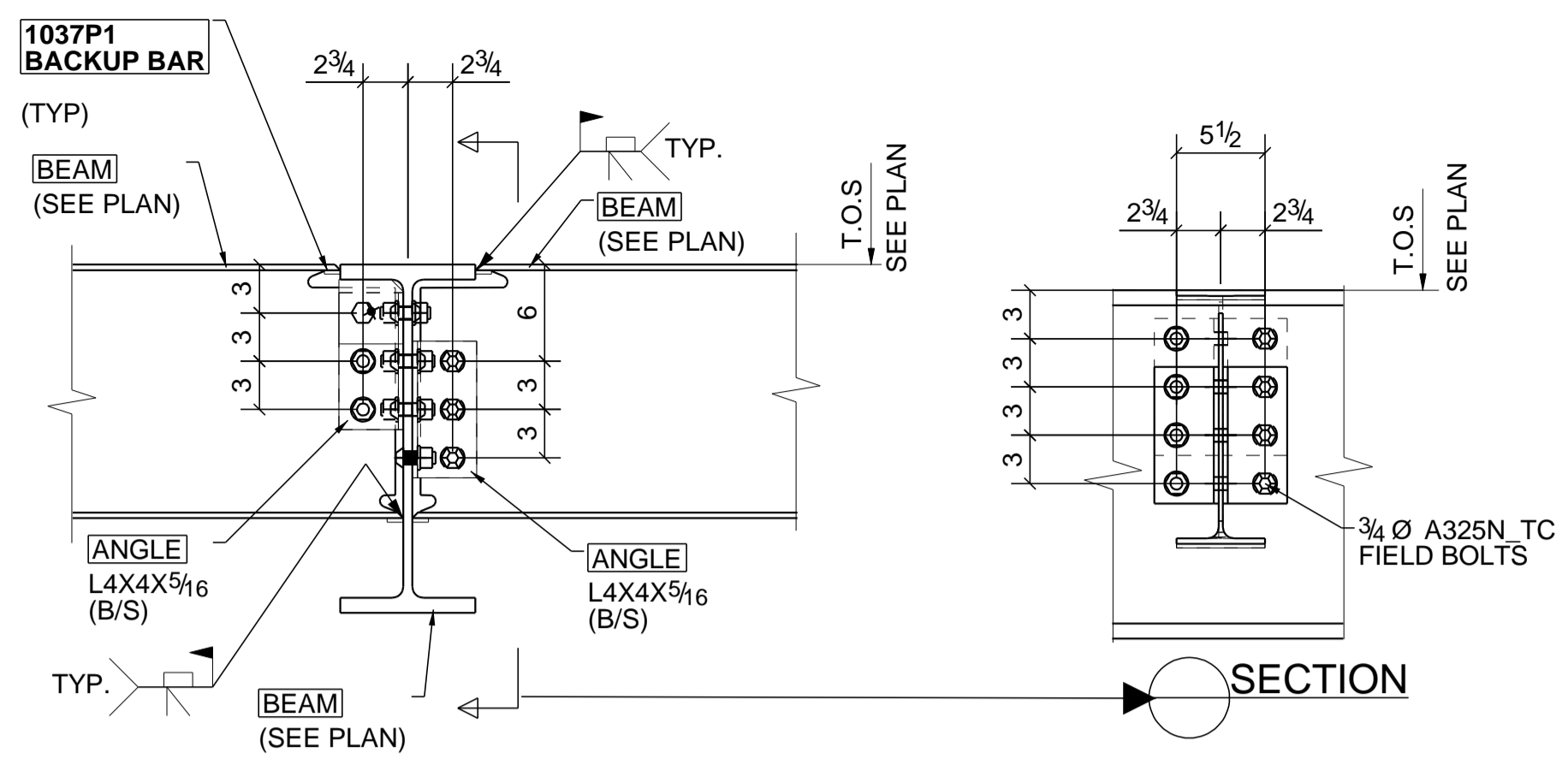


LEVEL 3 - FRAMING PLAN - SURGERY CENTER
 (REF - DWG. S - 103)
 T.O.S EL: 29'-5 1/2" (U.N.O.)

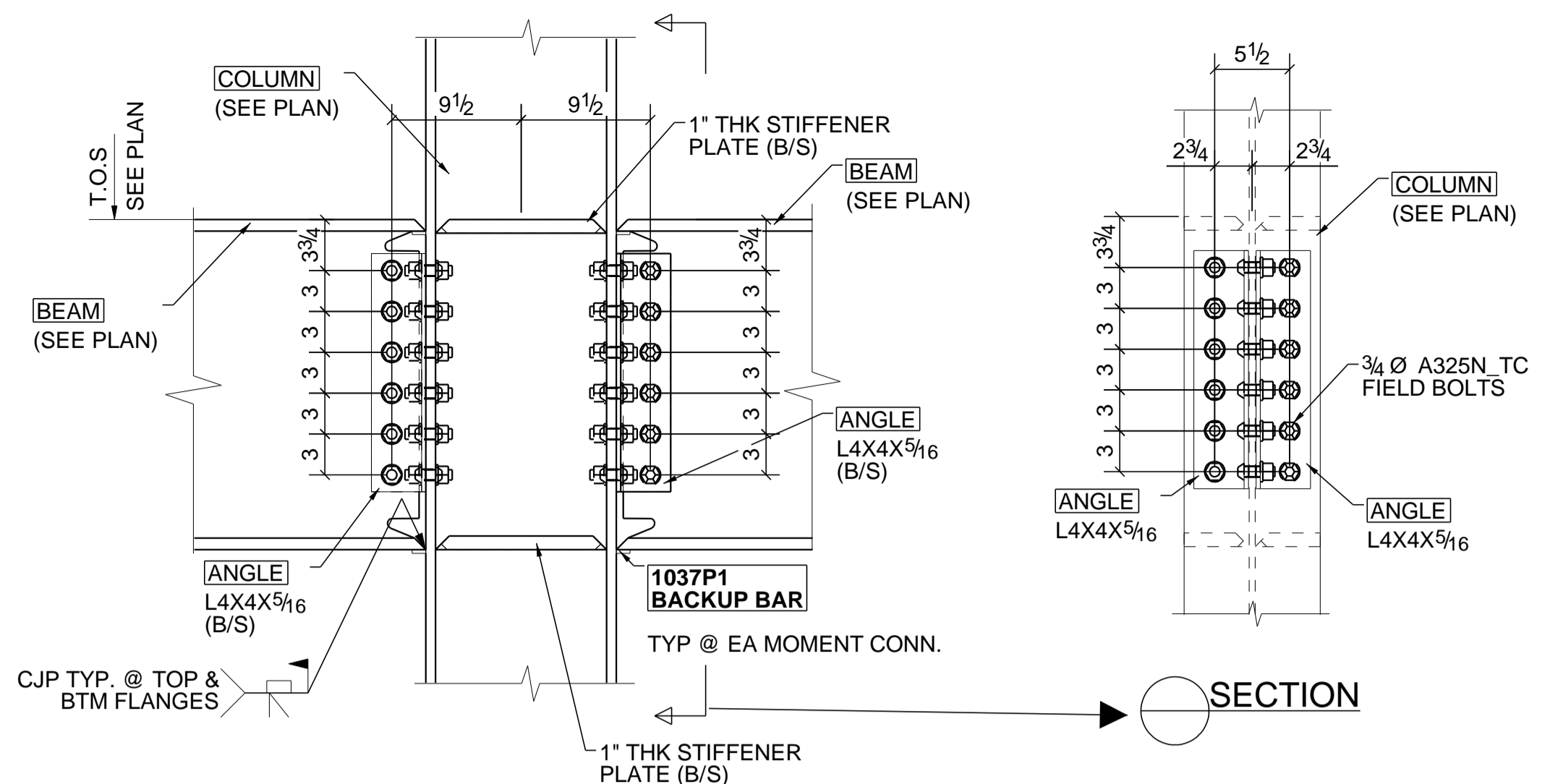


REVISIONS	
DATE	DESCRIPTION

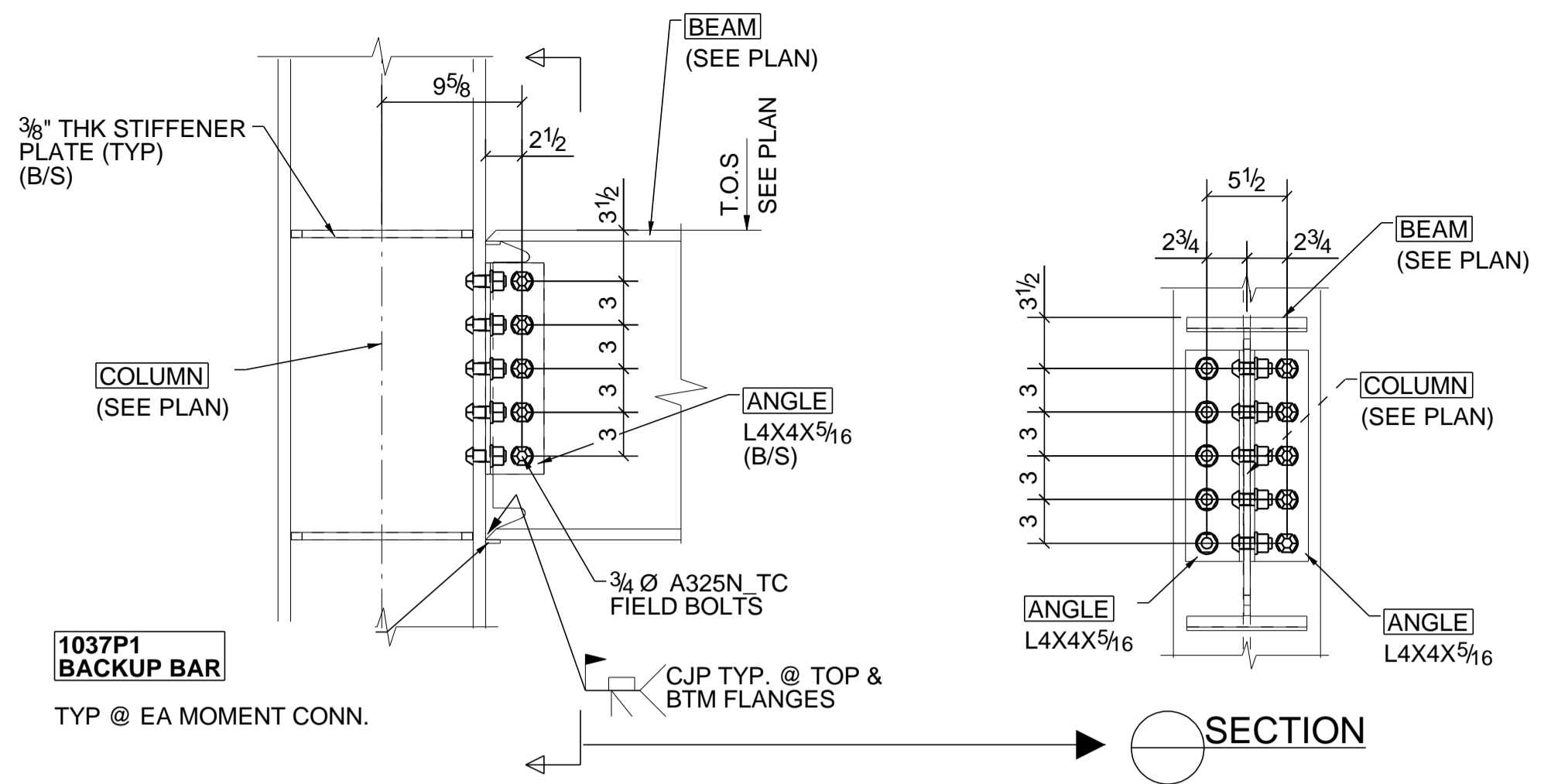
APPROVAL NOTE			
This drawing shall only be used for locating and placing steel members. Refer to Architects/Engineers drawings for details and dimensions not shown. Steel shall be erected in strict accordance with the AISC Code of Standard Practice, and any correction of errors shall be handled as explicitly stated in section 7.12 thereof.			
On drawings submitted for approval certain dimensions, sizes, etc. are designated with a "clous". If this information is not verified or furnished by the Approver or G.C. it will be assumed to be correct and fabricated accordingly.			
SUBMITTED FOR APPROVAL WITH SECTION 4 OF THE AISC CODE OF STANDARD PRACTICE			
GENERAL NOTES			
CONTRACT FABRICATOR PRIOR TO MARKING ANY FIELD CORRECTIONS			
⊗ INDICATES CONNECTING SIDE -			
ERECT STEEL PER AISC CODE OF STANDARD PRACTICE			
PROJECT:	LOCATION:	DATE:	JOB NO.:
CONTRACTOR:	ARCHITECT:	DESCRIPTION:	DETAILS BY:
WELDS: E70-XX	U.N.O.:	LEVEL 3 - FRAMING PLAN - SURGERY CENTER	DATE:
BOLTS: A325-TC	U.N.O.:		DRG NO. E2



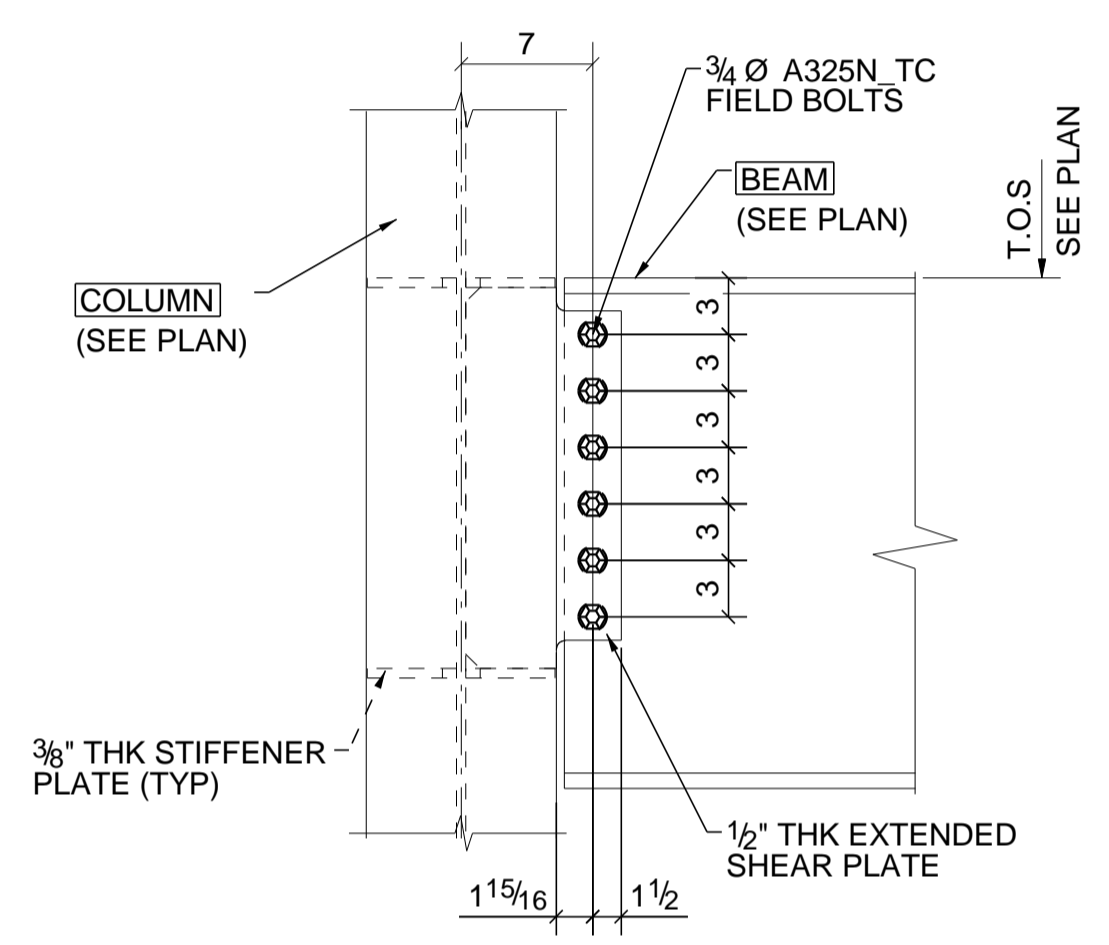
WF BEAM - WF BEAM MOMENT CONNECTION DETAIL



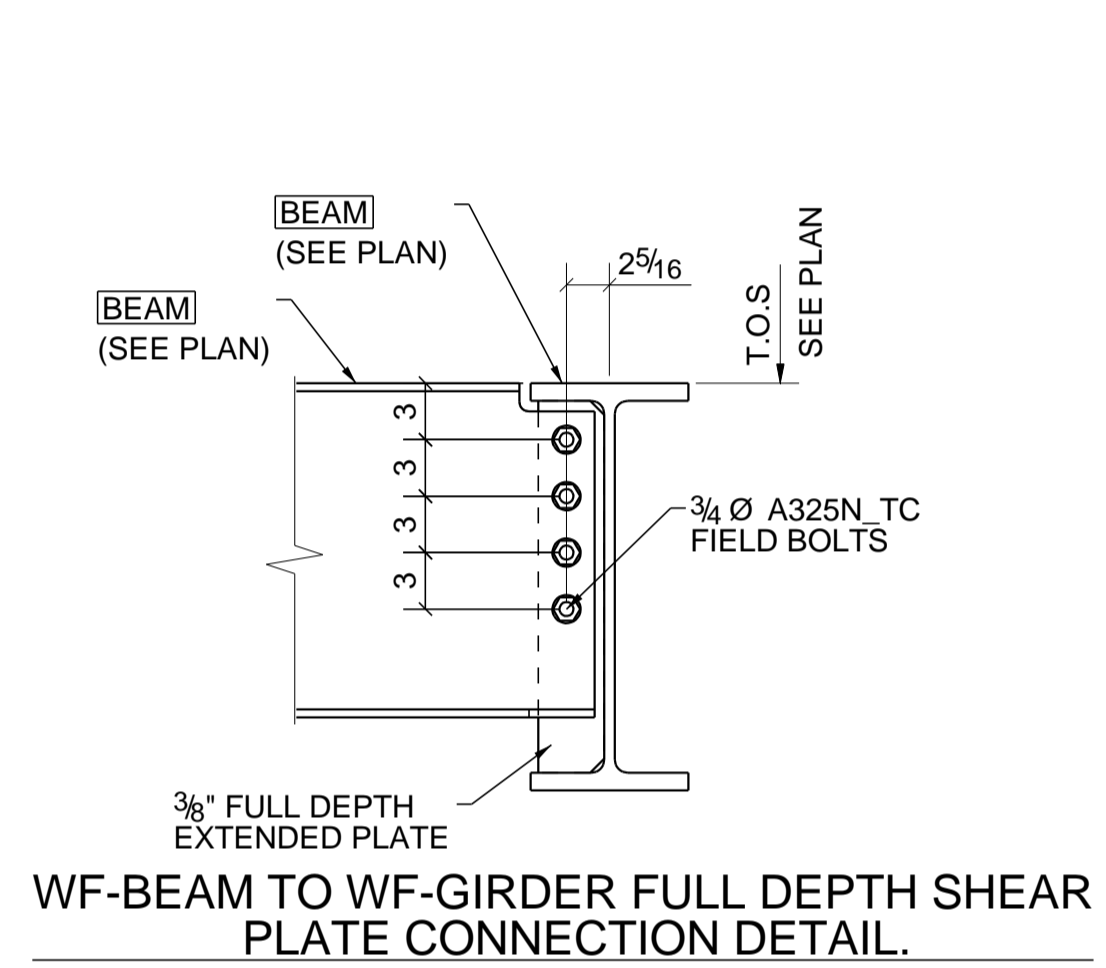
WF BEAM - COLUMN FLANGE MOMENT CONNECTION DETAIL



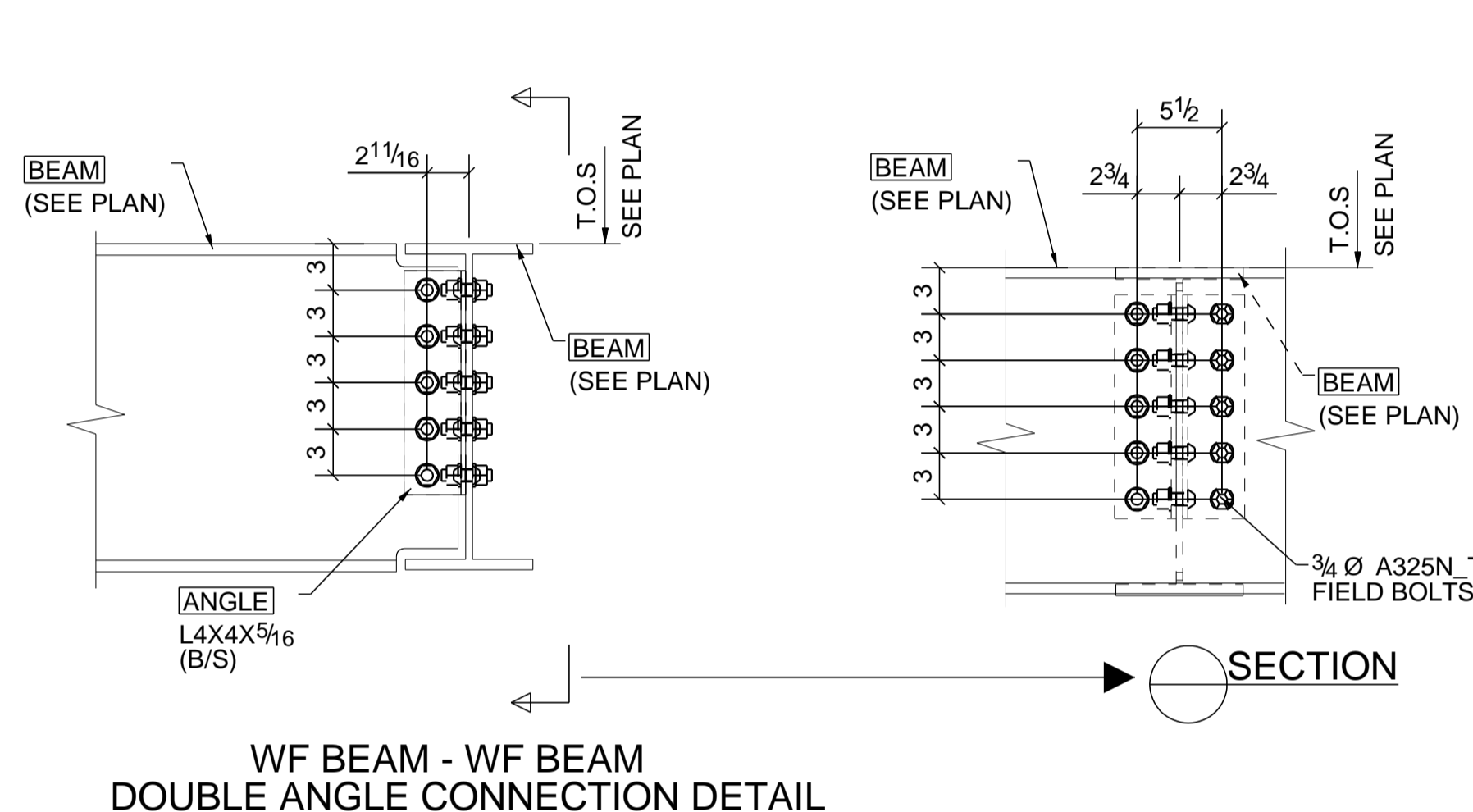
WF BEAM - COLUMN FLANGE MOMENT CONNECTION DETAIL



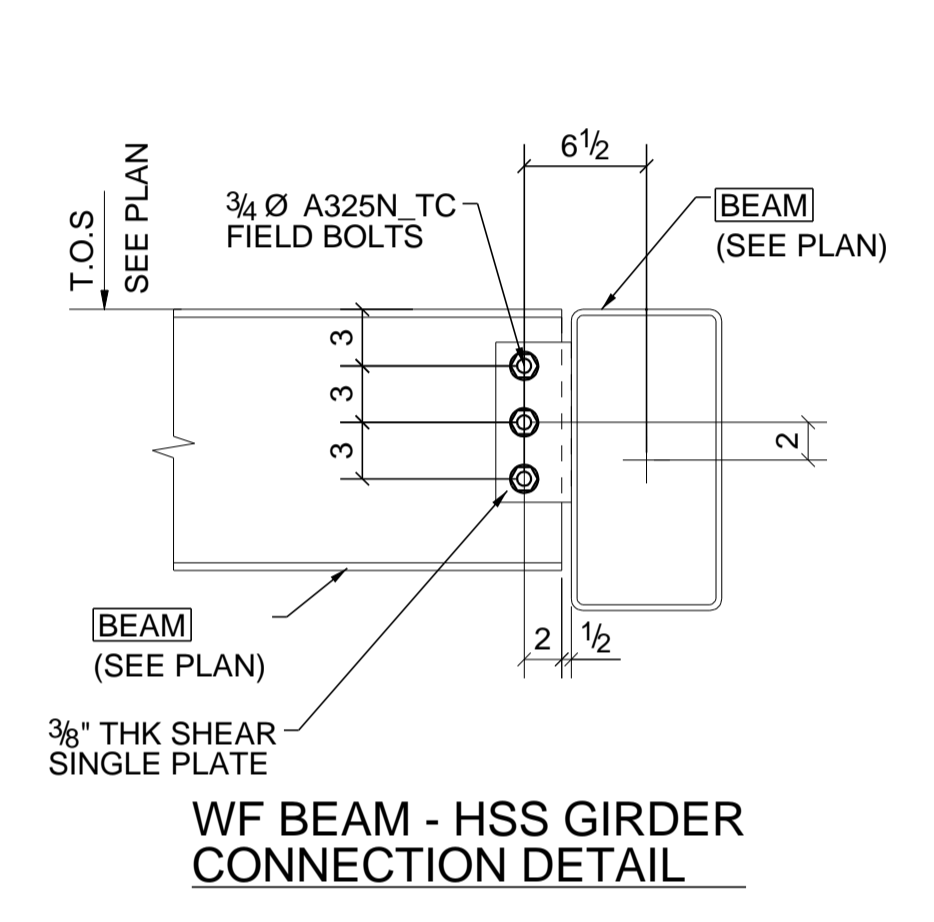
WF BEAM - WF COLUMN WEB EXTENDED SHEAR PLATE CONNECTION DETAIL.



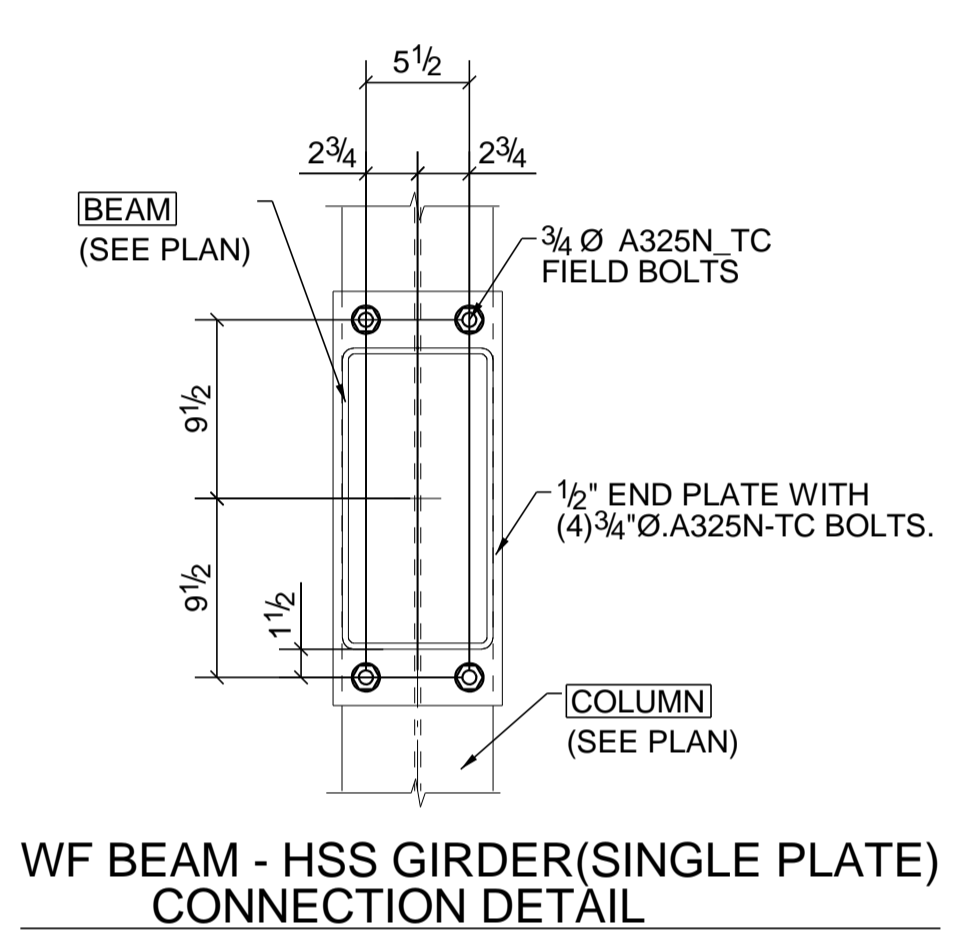
WF-BEAM TO WF-GIRDER FULL DEPTH SHEAR PLATE CONNECTION DETAIL.



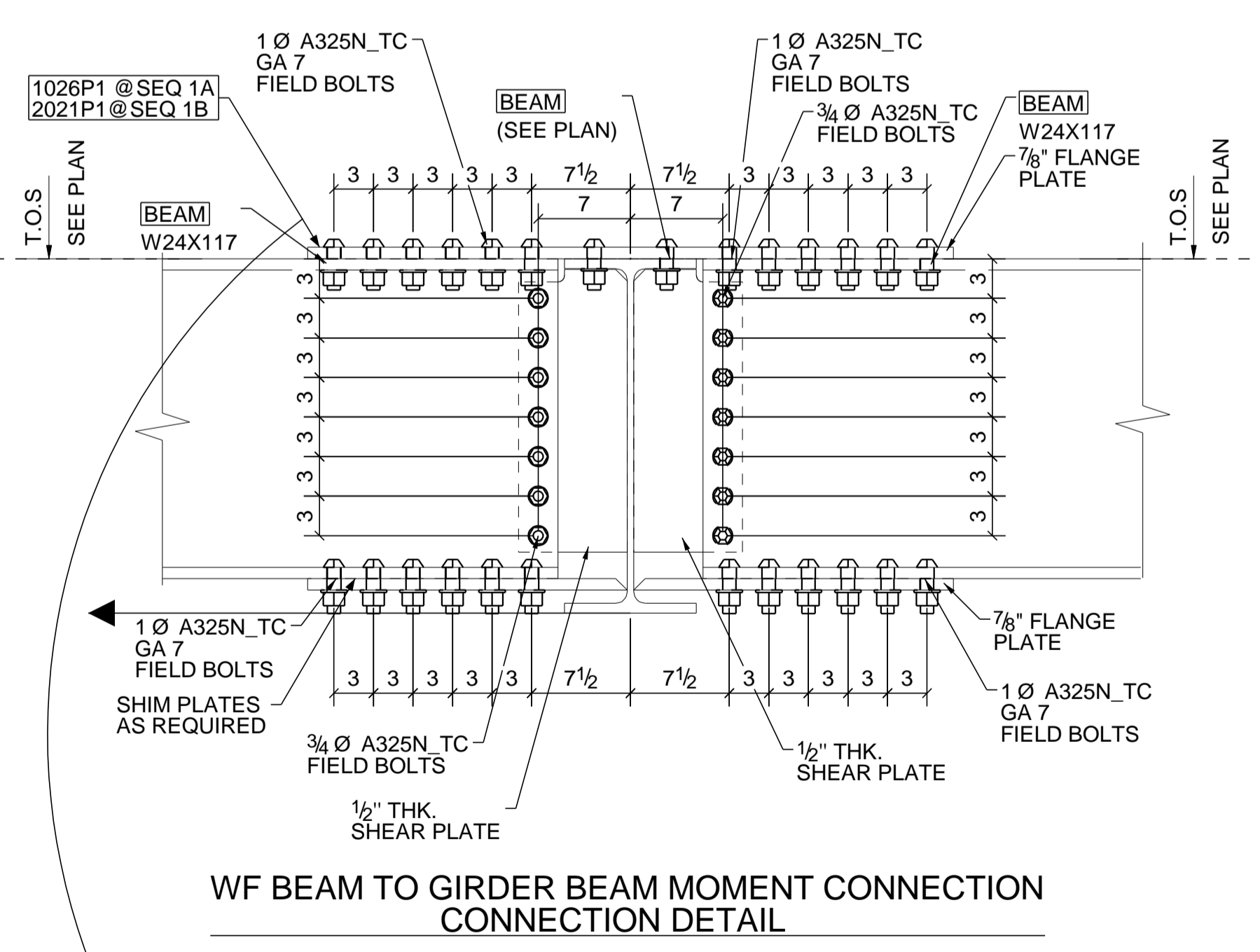
WF BEAM - WF BEAM DOUBLE ANGLE CONNECTION DETAIL



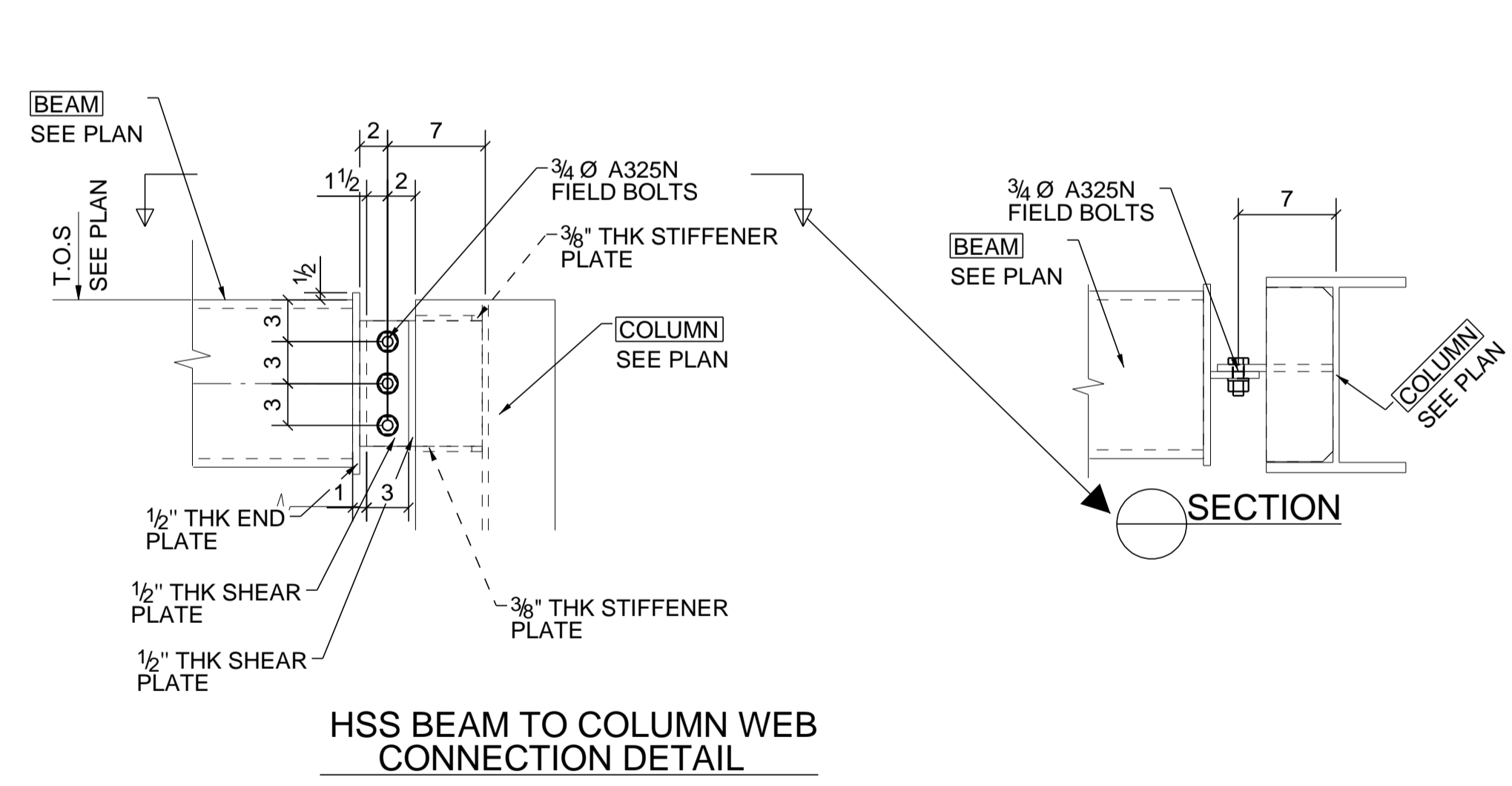
WF BEAM - HSS GIRDER CONNECTION DETAIL



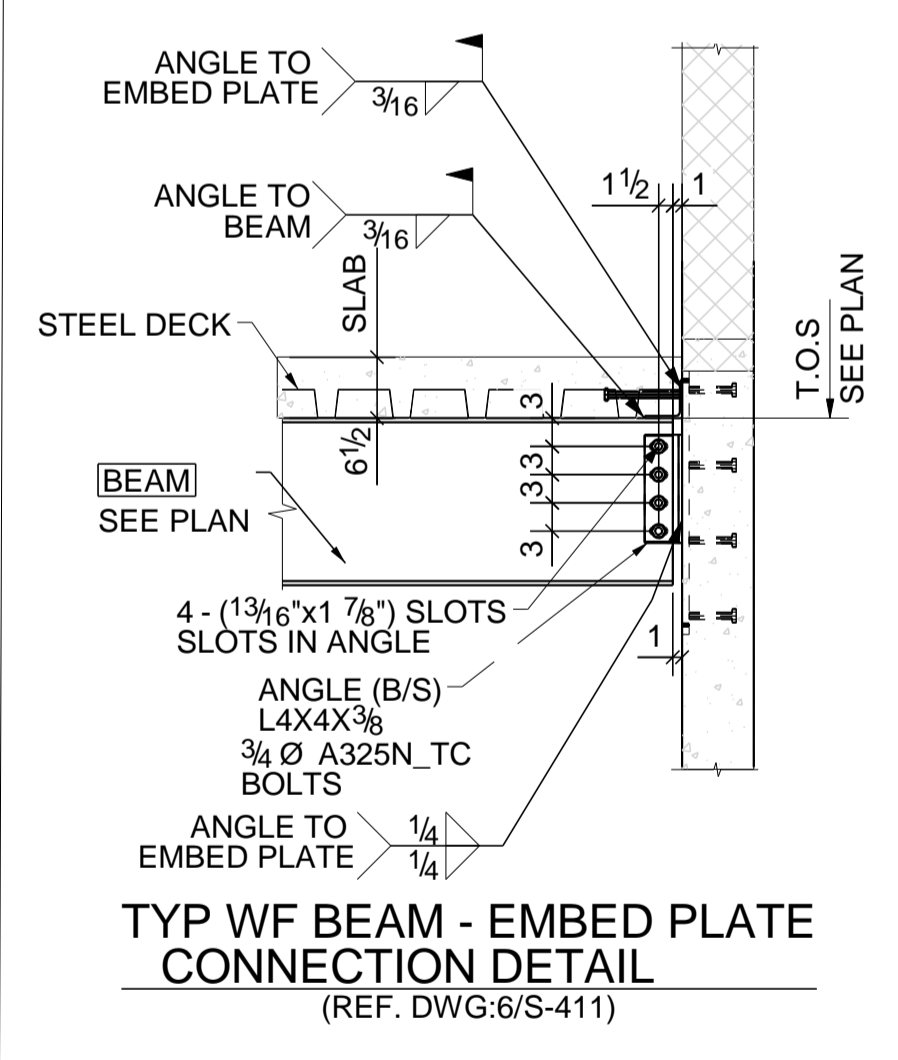
WF BEAM - HSS GIRDER (SINGLE PLATE) CONNECTION DETAIL



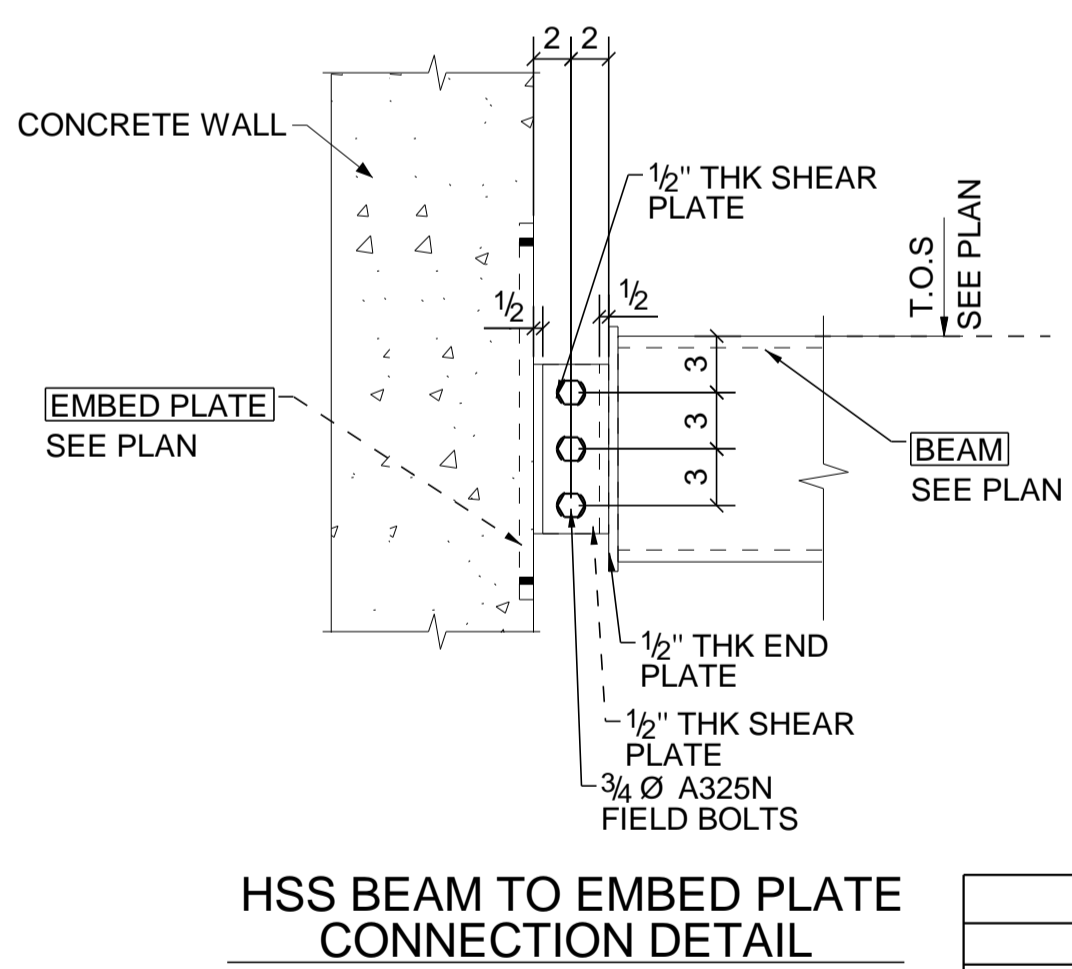
WF BEAM TO GIRDER BEAM MOMENT CONNECTION DETAIL



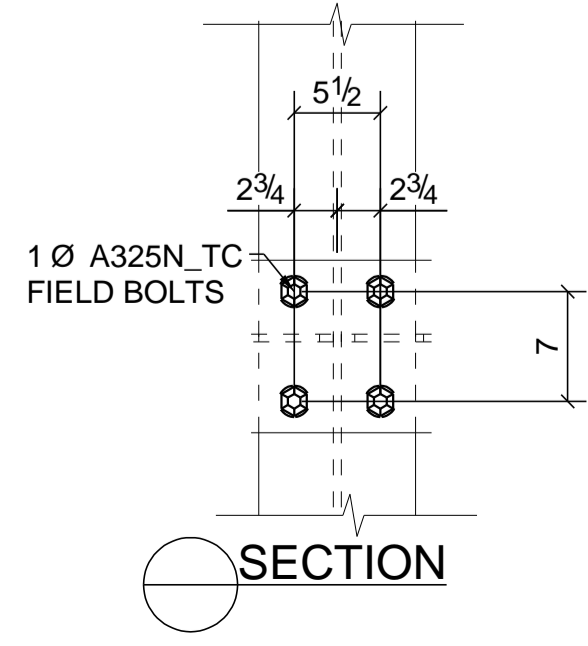
HSS BEAM TO COLUMN WEB CONNECTION DETAIL



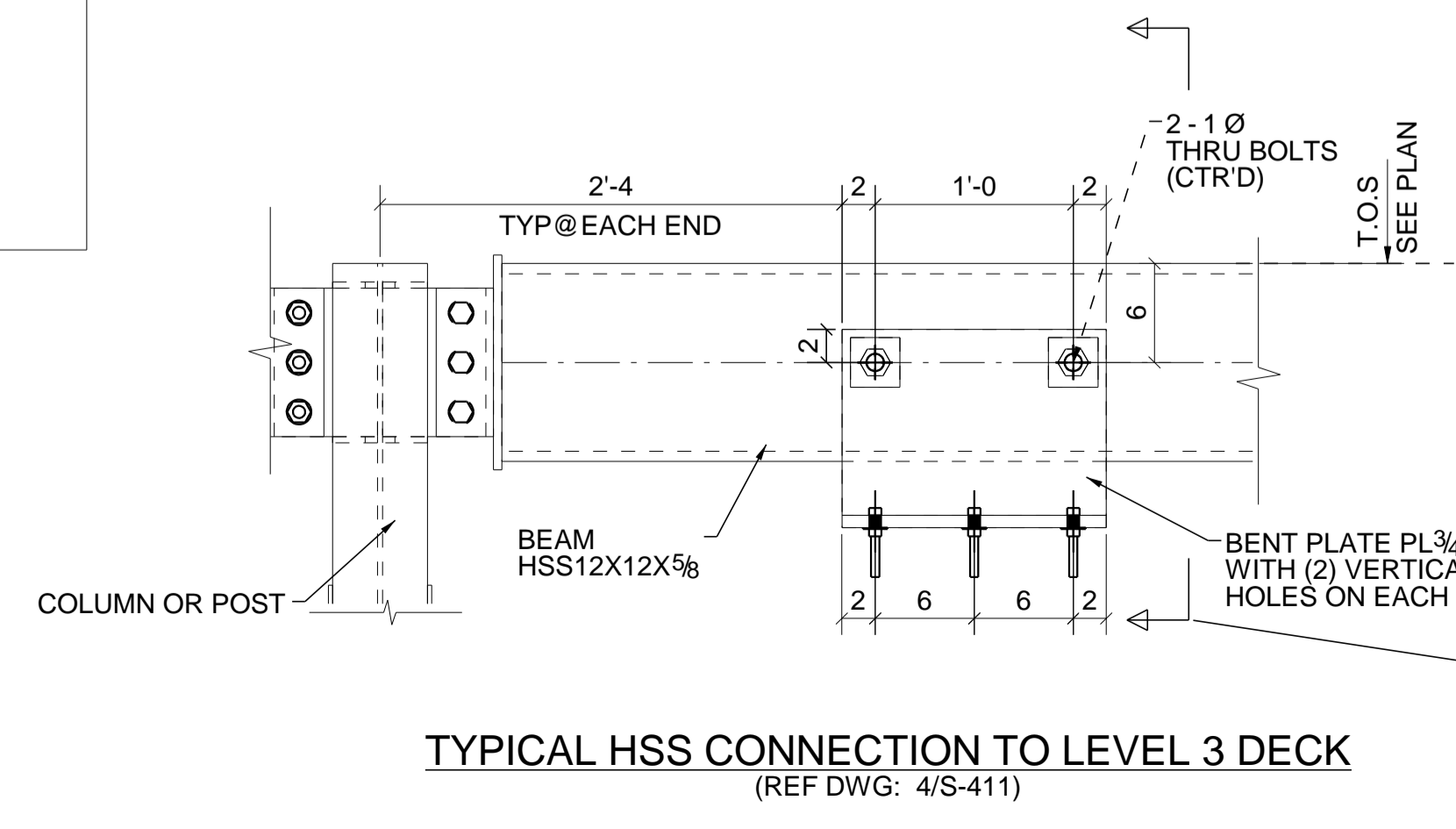
TYP WF BEAM - EMBED PLATE CONNECTION DETAIL (REF. DWG. 6/S-411)



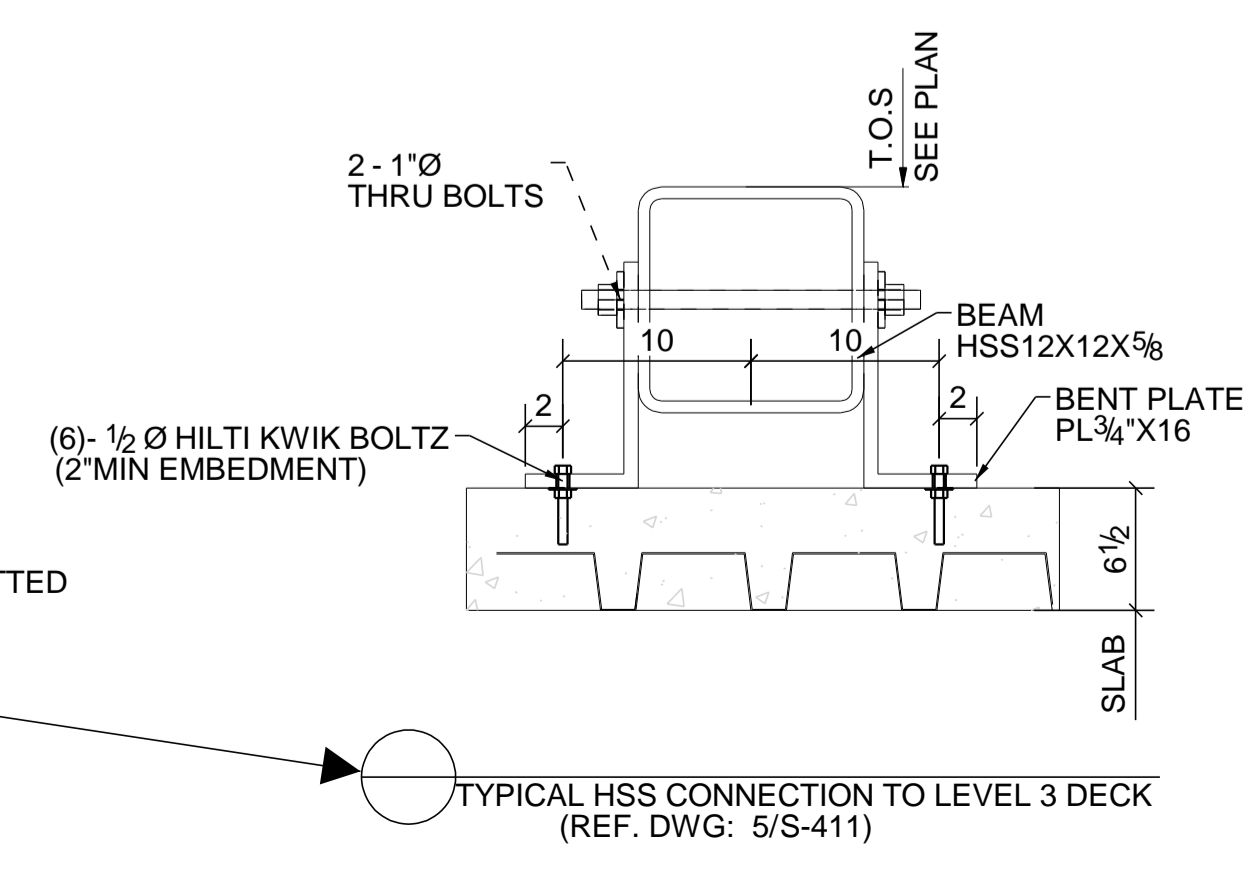
HSS BEAM TO EMBED PLATE CONNECTION DETAIL



SECTION



TYPICAL HSS CONNECTION TO LEVEL 3 DECK (REF DWG: 4/S-411)



TYPICAL HSS CONNECTION TO LEVEL 3 DECK (REF. DWG: 5/S-411)

REVISIONS		
DATE	NO.	DESCRIPTION

APPROVAL NOTE

This drawing shall only be used for locating and placing steel members. Refer to Architects/Engineers drawings for details and dimensions not shown. Steel shall be erected in strict accordance with the AISC Code of Standard Practice, and any correction of errors shall be handled as explicitly stated in section 7.12 thereof.

On drawings submitted for approval certain dimensions, sizes, etc. are designated with a "cloud". If this information is not verified or furnished by the Approver or G.C. it will be assumed to be correct and fabricated accordingly.

SUBMITTED FOR APPROVAL WITH SECTION 4 OF THE AISC CODE OF STANDARD PRACTICE

GENERAL NOTES

- CONTACT FABRICATOR PRIOR TO MARKING ANY FIELD CONNECTIONS
- INDICATES CONNECTING SIDE
- ERECT STEEL PER AISC CODE OF STANDARD PRACTICE

PROJECT: _____

LOCATION: _____

CONTRACTOR: _____

ARCHITECT: _____

DESCRIPTION: SECTIONS & DETAILS

DATE: _____

WELDS: E70-XX **U.N.O.:** _____

BOLTS: A325N-TC **U.N.O.:** _____

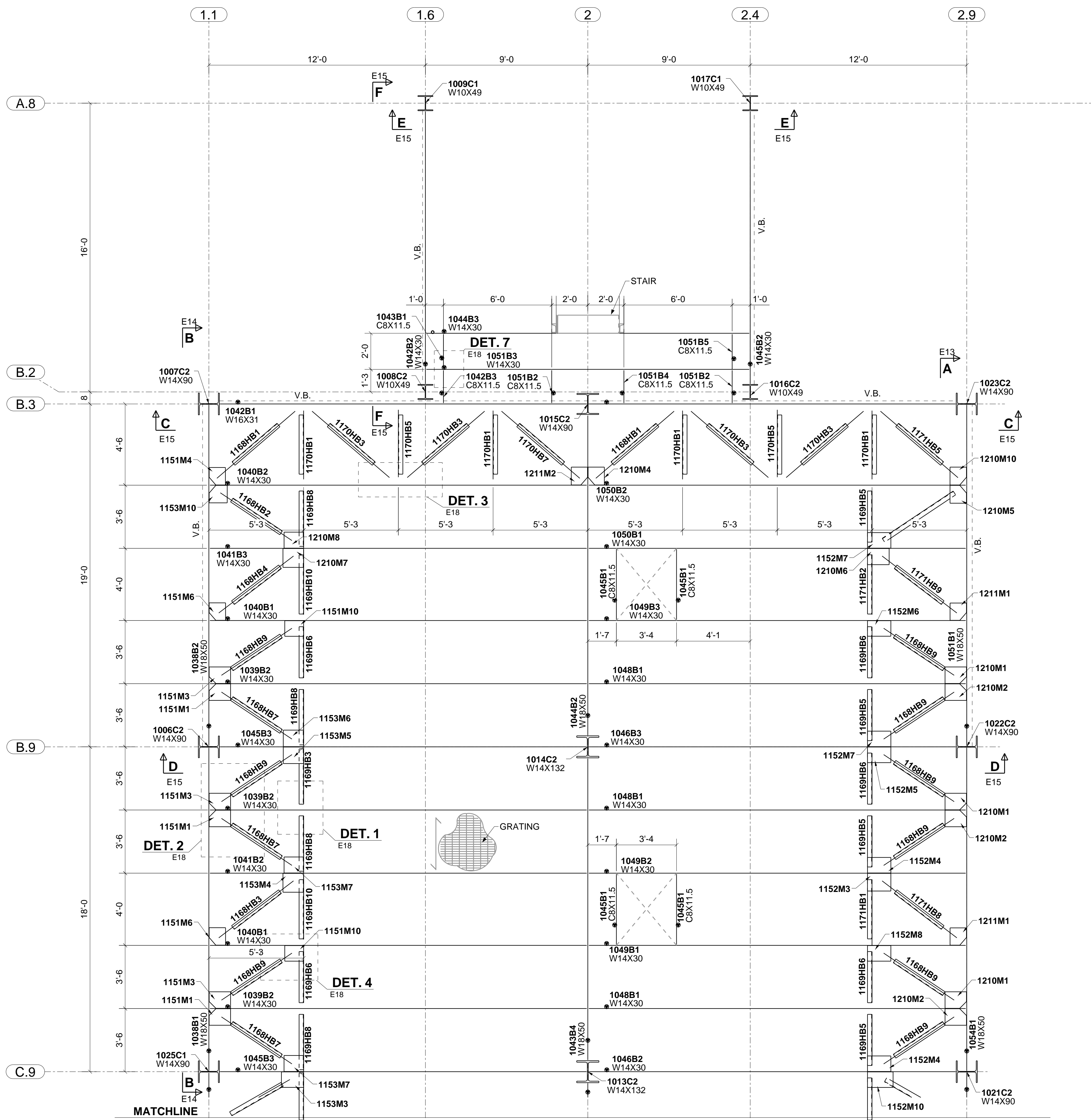
DATE: _____

DRAWN BY: _____

CHECKED BY: _____

JOB NO.: _____

DRG NO.: E13

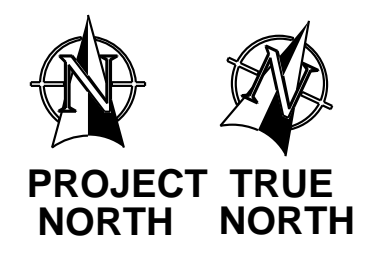


NOTES :
 HORIZONTAL BRACE ANGLE PROFILE IS L3X3X1/4 (U.N.O)
 TOP OF HORIZONTAL BRACE ELVATION 109'-2" (U.N.O)
 ALL GUSSET PLATES ARE 3/8" THICK (U.N.O)

LEGEND :-
 T.O.S - TOP OF STEEL
 V.B. - VERTICAL BRACE
 - - - - INDICATES VERTICAL BRACE

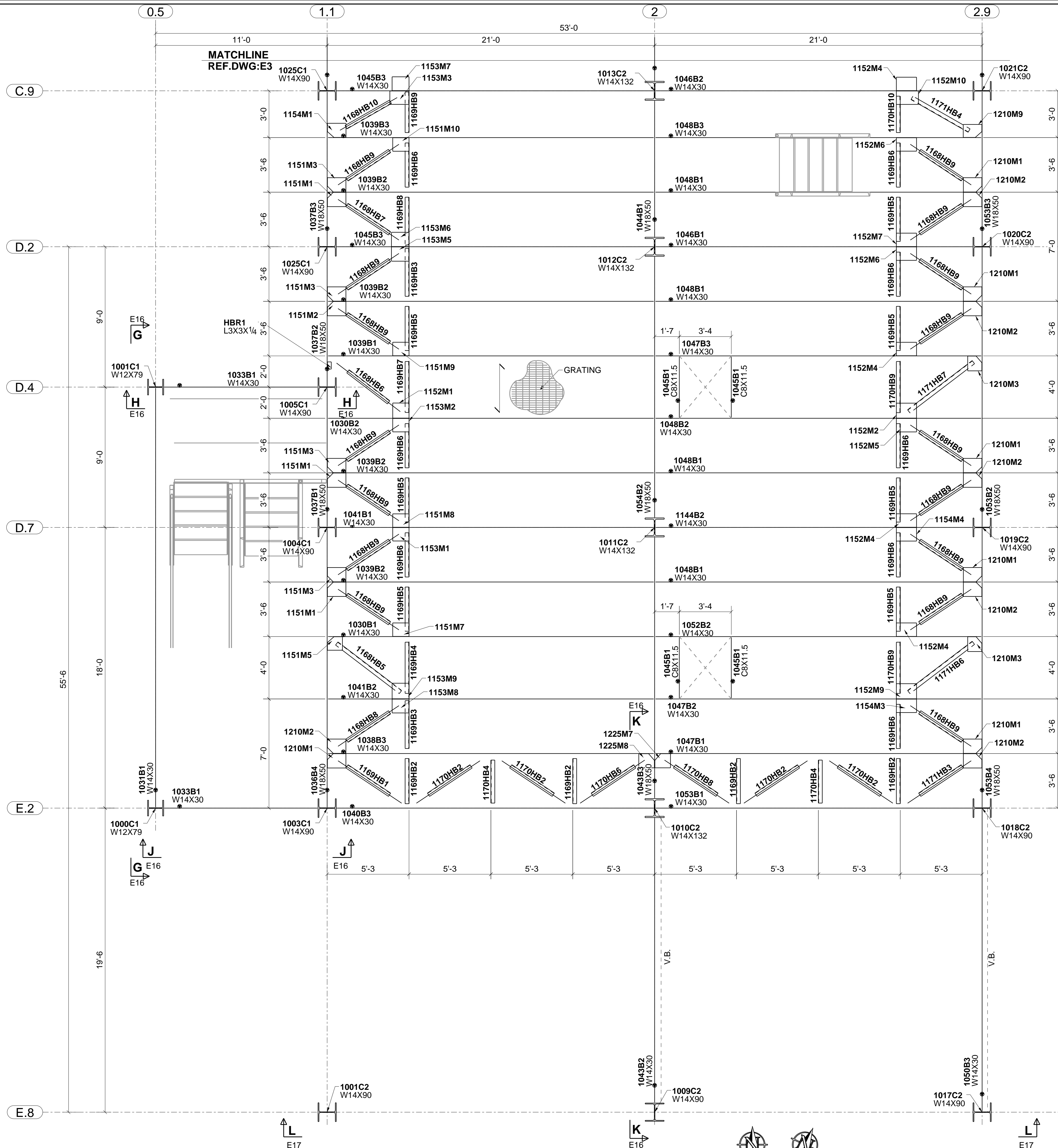
GRATING NOT SHOWN FOR CLARITY

FEED SILO BUILDING - PARTIAL FRAMING PLAN (LEVEL-2)
 (TOP OF STEEL ELEVATION +109'-6" (U.N.O))
 (REF.DWG:S-330-210)



PROJECT #	DRAWN BY:	CHKD BY:
REF DWG.	JOB NO.	
S-330-210 THRU S-330-502		
REV	DESCRIPTION	DATE BY

T.M.H. STRUCTURES

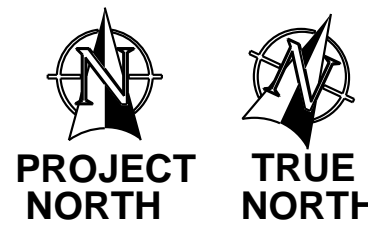


NOTE:-
 HORIZONTAL BRACE ANGLE PROFILE IS L3X3X $\frac{1}{4}$ (U.N.O)
 TOP OF HORIZONTAL BRACE ELVATION 109'-2" (U.N.O)
 ALL GUSSET PLATES ARE $\frac{3}{8}$ " THICK (U.N.O)

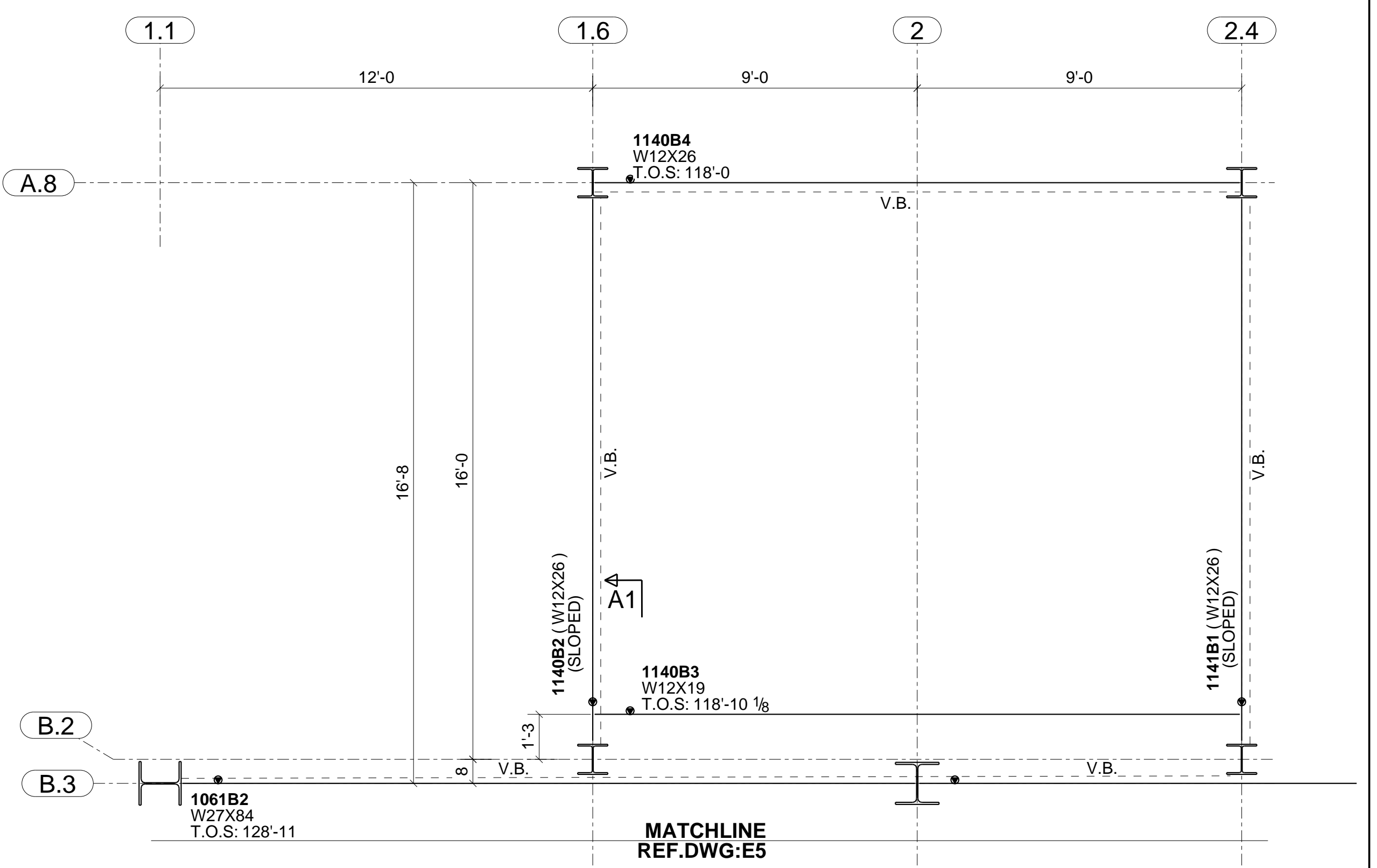
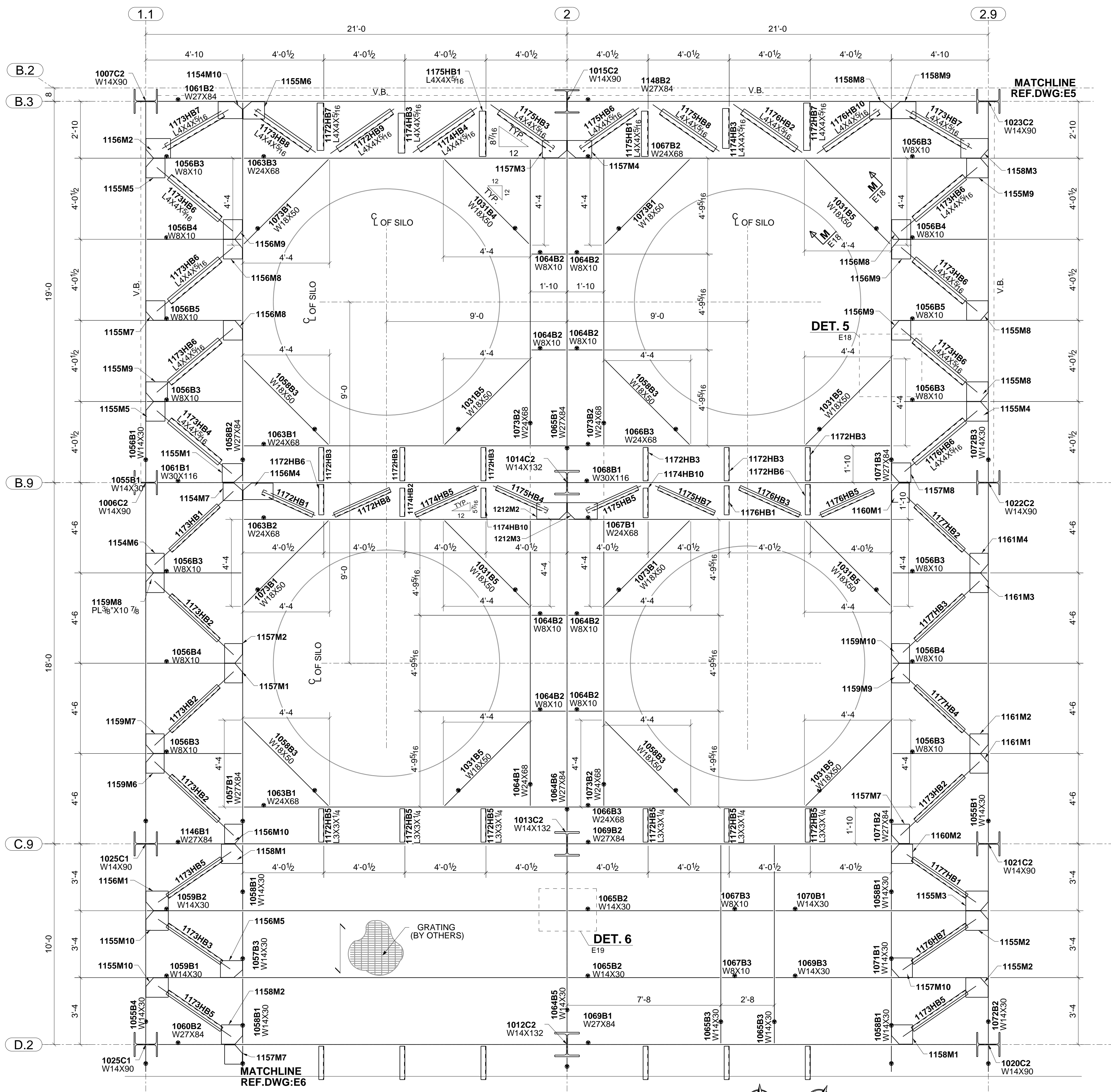
LEGEND :
 T.O.S - TOP OF STEEL
 V.B. - VERTICAL BRACE
 ----- INDICATES VERTICAL BRACE

GRATING NOT SHOWN FOR CLARITY

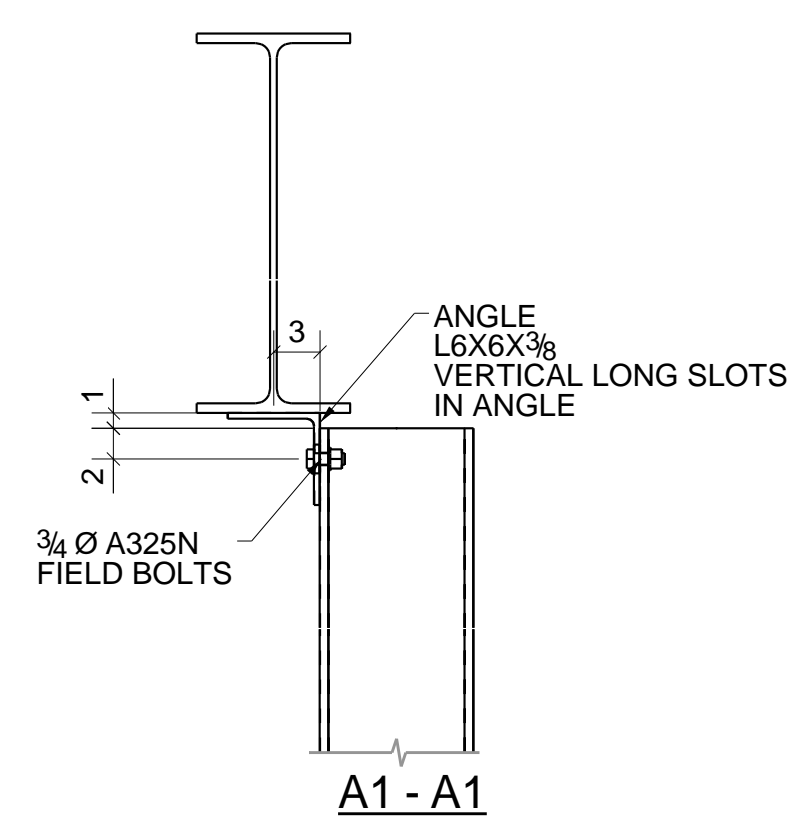
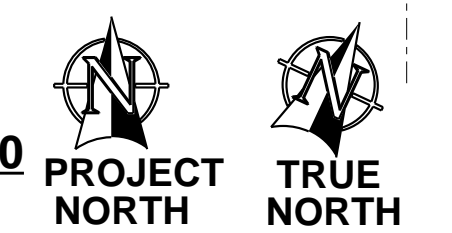
FEED SILO BUILDING PARTIAL FRAMING PLAN@ LEVEL 2
 TOP OF STEEL EL.+109'-6"(U.N.O)
 (REF.DWG:S-330-210)



PROJECT #	DRAWN BY:	CHKD BY:
REF DWG:	JOB NO.	
S-330-210 THRU S-330-502		
REV	DESCRIPTION	DATE BY



FEED SILO BUILDING PARTIAL FRAMING PLAN @ EL.+118'-0"
(REF.DWG:S-330-210)

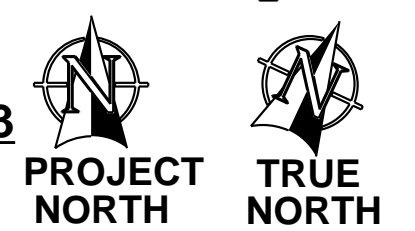


NOTE:-
 HORIZONTAL BRACE ANGLE PROFILE IS L3X3X1/4 (U.N.O)
 TOP OF HORIZONTAL BRACE ELVATION 128'-7" (U.N.O)
 ALL GUSSET PLATE ARE 3/8" THICK (U.N.O)

LEGEND :-
 T.O.S - TOP OF STEEL
 V.B. - VERTICAL BRACE
 - - - - INDICATES VERTICAL BRACE

GRATING NOT SHOWN FOR CLARITY

FEED SILO BUILDING PARTIAL FRAMING PLAN @ LEVEL 3
 TOP OF STEEL EL.+128'-11"(U.N.O)
 (REF.DWG:S-330-211)



PROJECT #	DRAWN BY:	CHKD BY:
REF.DWG:	JOB NO.	
S-330-210 THRU S-330-502		
REV	DESCRIPTION	DATE